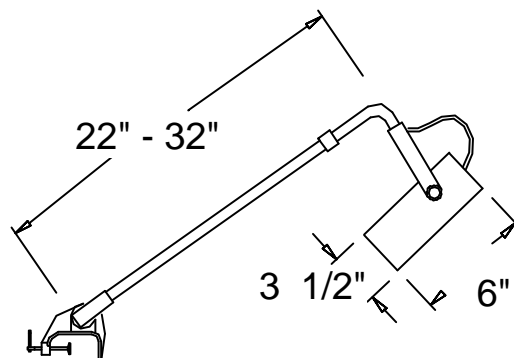


CATALOG NUMBER	TYPE
PROJECT	

LINE VOLTAGE DISPLAY LIGHT **MODEL DL-701**



Ordering Matrix		
Model	Series	Finish
[]	[]	[]
DL	701	BK WT

Ordering Example (model number – series – finish): DL-701-WT

Product Details	
Description:	Line voltage display light for use on wall partitions, display booths, and portable work areas. Can utilize a variety of medium base lamps up to 60 watts. Mounts to flat surfaces with vice tension clamp, accommodating widths of 1/2" to 2 1/2".
Materials:	Fixture head and connector are aluminum. Periscoping arm is steel. Clamp is heavy duty polycarbonate. Medium base lamp socket is porcelain with nickel-plated copper shell. 10' grounded cord and plug.
Aiming:	Ball and hub style aiming feature allows a full range of vertical and horizontal orientation.
Lamping:	Accommodates medium base, 120v incandescent lamps.
Finish:	Abrasion resistant black (BK) or white (WT) paint finish.
Accessories:	DLC-4 = wide surface clamp accommodates up to 4" width. DLC-P = pipe clamp works on round surfaces up to 2 1/2" diameter. SW3 = Inline on/off switch to be installed in field installations.
Listing:	U.L. & C.U.L. listed. 5 year W.A.C. Lighting product warranty.

Specification Features
<ul style="list-style-type: none"> • Portable lighting unit that comes complete with clamp and 10' cord and plug. • The DL-701 is dimmable with any incandescent dimmer switch. • Periscoping style arm can allow the head of the display light to be placed up to an extra 10" back from surface and then locked in place with a simple twist and lock. • Lamps options include; R style reflector lamps, 50w max A style lamps, 60w max PAR style lamps, 50w max