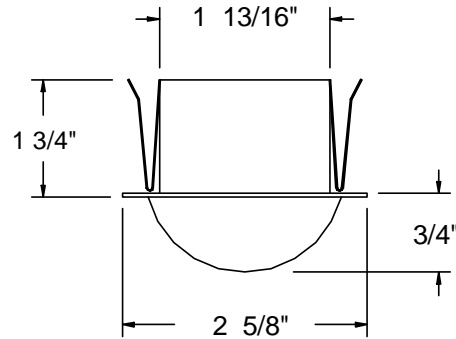


CATALOG NUMBER	TYPE
PROJECT	

LOW VOLTAGE MINIATURE RECESSED

MODEL HR-1138



Ordering Matrix

Model	Series	Finish
<input type="text"/>	<input type="text"/>	<input type="text"/>
HR	1138	BN WT

Ordering Example (model – series – finish): HR-1138-WT




Product Details

Description:	Low voltage miniature recessed unit with frosted "dome" glass lens. Used for lighting in cabinets, displays and similar wooden applications.
Materials:	Housing is steel, finished in brushed nickel, gold, or white. Electrical component within the can is a bi-pin ceramic socket with nickel plating. Wiring consists of 30" of 18 gauge teflon insulated wires with fiberglass sleeves leading from the socket through the top of the housing.
Transformer & Lamp:	Remote electronic class II transformer required, sold separately. One JC20 20w, 12 volt halogen lamp included with unit.
Finish:	BN = Brushed Nickel electroplated finish WT = White powder coated finish
Mounting:	Two flat "wing" springs expand against the cut out hole to hold fixture against the surface. Insulated wires lead from the socket through the top of the housing, ready to be wired to the remote class II transformer. 2 1/4" cutout hole.
Ratings:	U.L. and C.U.L. listed. Conforms to U.L. standard 1598. Certified to C.S.A. standard C22.2, #250.

Specification Features

- An all-in-one style recessed unit, comes with housing, glass trim and lamp. No need to order additional fixture parts, it is ready to install out of one box.
- "Quick-Ship" item, always in stock and available for immediate shipment.
- Non-IC unit. Intended for installations where insulating materials will not be present.
- 5 year WAC Lighting product warranty.

Compatible Electronic Transformers (sold separately):

<p>EN-1260-RB2</p> <p>Boxed Class II 120V input – 12V output</p> <p>Load: 20w-60w (60w max)</p>		<p>EN-1260-R2</p> <p>Component Class II 120V input – 12V output</p> <p>Load: 20w-60w (60w max)</p>		<p>EN-1260-P-AR</p> <p>Cord & Plug Class II 120V input – 12V output</p> <p>Load: 20w-60w (60w max)</p>	
--	---	---	--	---	---