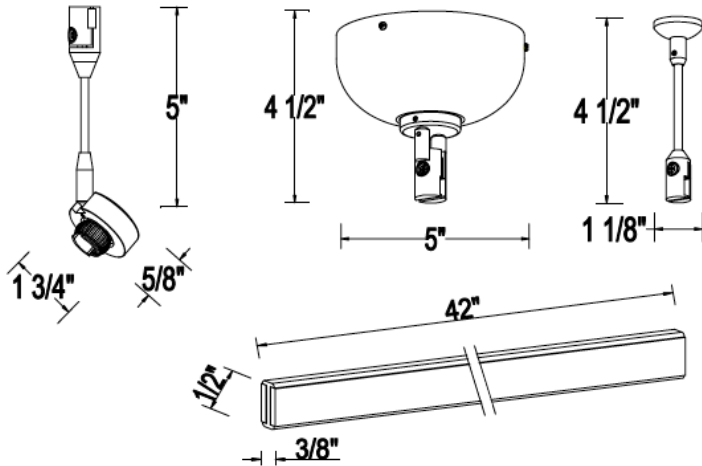


CATALOG NUMBER	TYPE
PROJECT	

SOLORAIL™ KIT – FIVE TRACK FIXTURES

MODEL LM-K8115



Ordering Matrix		
Model	Part Number	Finish
LM	K8115	BZ/BZ

Ordering Example (model number – part number – finish): LM-K8115-BZ/BZ

Product Details	
Description:	SOLORAIL™ kit consisting of rail, components and track fixtures necessary to produce a 10.5' section of monorail.
Materials:	The kit consists of a total of twenty-seven parts. (1) LM-EN12-250E 250w surface mount transformer for 12v lamps (3) LM-T3 3.5' section of monorail (2) LM-I i-connector (4) LM-X4 standoff support (2) LM-EC rail end cap (5) QF-181X3 decorative track fixtures (5) G115 metal mesh shade for track fixtures (5) MR-16-EXN MR16 lamp with 40° beam spread, 50 watts
Finish:	The rail, track fixture, and all rail components are provided in a powder coated bronze paint finish. The metal shades for the track fixtures are also provided in the matching bronze finish.
Listing:	UL & CUL Listed.

Specification Features
<ul style="list-style-type: none"> The kit comes complete with all the required elements for installation and immediate use. The 3" low voltage track fixtures with adapter for rail, lamps, and metal shades are in the box along with the rail and rail components. The 12 volt electronic low voltage transformer provided with the LM-K8115 contains auto reset, soft start, and short circuit protection features to extend lamp life and system performance.