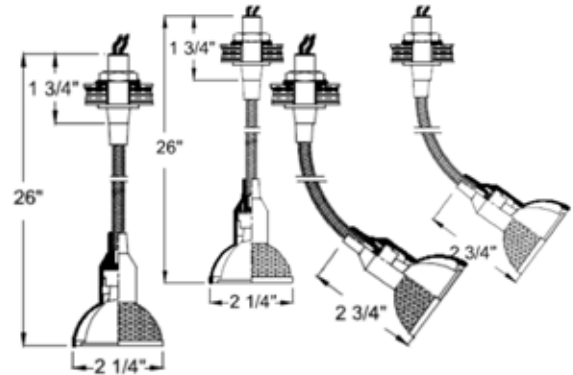


CATALOG NUMBER	TYPE
PROJECT	

LOW VOLTAGE DISPLAY LIGHTING

MODEL MM-204



Shown with MBS16 Mesh Bulb Shield

Ordering Matrix

Model	Series	Finish
[]	[]	[]
MM	204	BK WT BN

Ordering Example (model number – series – finish) : MM-204-BK

Product Details

Description: Surface mount fixture for displays. Requires access from behind the fixture.

Materials: Fixture head is aluminum. Flexible arm is steel. Bi-pin socket is ceramic with 18 gauge Teflon insulated wires, sleeves.

Aiming: Flexible arm allows a full range of vertical and horizontal orientation.

Lamping: MR-16G or MR-11G, 12v halogen. Lamp not included.

Finish: BK = Black
WT = White
BN = Brushed Nickel

Accessories: Lens Options: Colored, Colored Dichroic, Ultra Violet, Beam Elongating, and Spread lenses.
Honey Comb Louver to be used with a Lens Clip and a protective glass covered MR16G lamp. Specify LENS-16-CLIP (only available in the MR16 size).
SBS11/SBS16 = Solid bulb shield used to cover lamp
MBS11/MBS16 = Mesh bulb shield used to cover lamp.

Listing: U.L. & C.U.L. listed.

Specification Features

- Transformer: Requires a remote transformer (not supplied).
- Re-lamps from the front. Accepts MR16 or MR11 protective glass covered lamps. An accessory lens can be used with a standard, uncovered MR16G lamp (lens clip must be used, specify LENS-16-CLIP)
- Lamp options include;
MR-11G lamp, 35w max
MR-16G lamp, 50w max
- 5 year WAC Lighting product warranty.