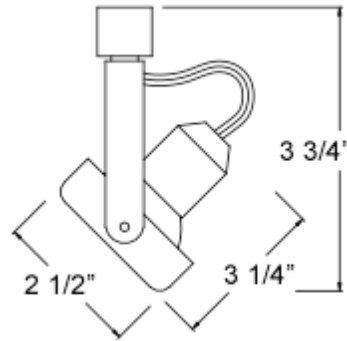


CATALOG NUMBER	TYPE
PROJECT	

LINEAR SYSTEM – HALOGEN TRACK FIXTURE






MODEL SF-216



Ordering Matrix				
Model	Series	Finish		Accessories
<input type="text"/>	<input type="text"/>	<input type="text"/>		
SF	216	BK	WT	See table below

Ordering Example (*model – series – finish + optional accessory*): SF-216-BK

Product Details	Specification Features
<p>Description: Low voltage track head utilizing precise MR16 lamps. Specifically designed small sized fixture for use with the WAC Linear System.</p> <p>Materials: All metal track head with polycarbonate track adaptor. Bi-pin ceramic socket with 18 gauge Teflon insulated wires and fiberglass sleeves. Clear glass lens. Spring tension ring to retain lens.</p> <p>Aiming: 350° horizontal rotation and 90° vertical aiming. Yoke style aiming allows easy and fine adjustment to the desired angle. The aiming screw may be tightened to firmly hold vertical aiming angle.</p> <p>Lamping: MR16 lamp, 50W max. The SF-216 is suitable for 12v or 24v lamps. Lamps sold separately.</p> <p>Finish: Abrasion resistant Black (BK) or White (WT) paint finish.</p> <p>Listing: UL & CUL Listed. 5 year WAC Lighting product warranty.</p>	<ul style="list-style-type: none"> The supplied clear glass lens can be replaced with one lens accessory such as a colored dichroic lens, UV filter lens, etc. Can use 12 volt or 24 volt lamps, dependant on Linear System transformer. Transformer and Linear System track is ordered separately.

Accessory Lenses (ordered separately):			
<p>LENS-16-UVF UV Filter Lens</p> 	<p>LENS-16-COLOR Colored Lenses AMB = Amber BLU = Blue GRN = Green RED = Red YEL = Yellow</p> 	<p>LENS-16-DIC-COLOR Dichroic Lenses AMB = Amber BLU = Blue GRN = Green RED = Red YEL = Yellow</p> 	
<p>LENS-16-HCL Honeycomb Louver</p> 	<p>LENS-16-SPR Spread Lens</p> 	<p>LENS-16-BEL Beam Elongating Lens</p> 