

Fixture Type: _____

Catalog Number: _____

Project: _____

Location: _____

Lotos

Adjustable Downlight 3000K

Model	Beam	Color Temp & CRI	Lumens	CBCP	Finish
R4ERAR	W 45°	930 3000K - 90	750	1050	WT White
R6ERAR		930 3000K - 90	1320	1915	

Example: **R4ERAR-W930-WT**

DESCRIPTION

Shallow profile LED that is designed to fit in in furred down ceilings without sacrificing lumen output. Available in 4" or 6" recessed or 4" adjustable LED recessed.

FEATURES

- Multiple LED array for uniform illumination
- Rotatable multi-axis gimbal ring
- Driver included
- 5 year warranty

SPECIFICATIONS

Construction:	Steel with frosted TIR lens
Power:	9W, 15W
Input:	120 -277 VAC, 50/60Hz
Dimming:	TRIAC: 100-5%, ELV: 100-5%
Light Source:	Integrated LED
Lens:	Translucent acrylic diffuser
Rated Life:	50000 Hours
Mounting:	Heavy gauge retention clips secures fixture to ceiling
Cut Out:	4", 5"
Finish:	Electrostatically powder coated White
Ceiling Thickness:	1/2" - 1"
Operating Temp:	-4°F to 104°F (-20°C to 40°C)
Standards:	ETL, cETL, Wet Location Listed, Energy Star 2.0, Title 24 JA8-2016 Compliant, IC, Airtight

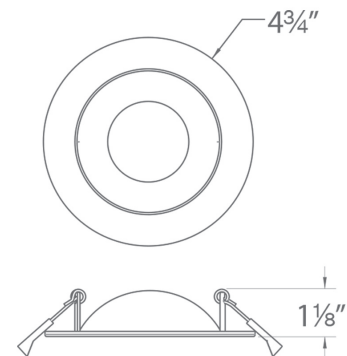


FINISHES



White

LINE DRAWING



R4ERAR