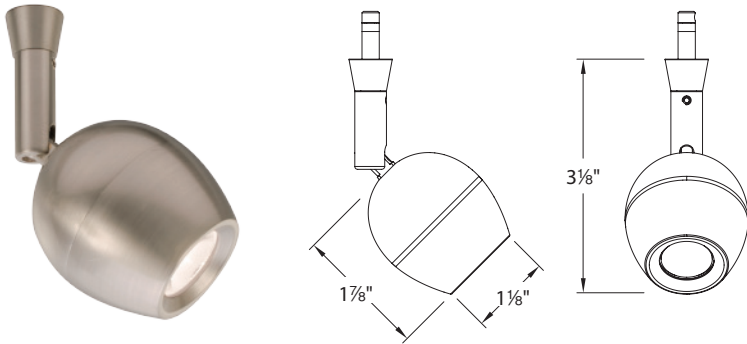


OVUM – model: QF-LED101-W

LEDme® Quick Connect™ Fixture

WAC LIGHTING

Responsible Lighting®



Fixture Type:

Catalog Number:

Project:

Location:

PRODUCT DESCRIPTION

The sleek curved form of the Ovum is contemporary and slightly whimsical, ideal for various residential and architectural applications where creative design and functionality are of equal importance.

FEATURES

- Compatible with all Quick Connect™ rail and track systems when using the proper adapter (see adapter chart on next page)
- Use on all Quick Connect™ Canopies (see canopy options on next page)
- Available in flood and wide angle beam spreads
- 360° horizontal rotation and 90° vertical aiming
- Free of projected heat, UV and IR radiation
- 80,000 hour rated life
- 5 year WAC Lighting product warranty

SPECIFICATIONS

Construction: Machined aluminum body.

Finish: Available in Dark Bronze (DB) and White (WT) powder coat paint finishes and electroplated Brushed Nickel (BN) finishes.

Input: 12V AC/DC, built-in low voltage rectifier.

Light Source: 1 × 3W, 3000K warm white Cree LED.
Total power consumption varies depending on system.

Dimming: Dim to 10% depending on system power supply.
Use ELV (electronic low voltage) dimmer with electronic transformer.
Use magnetic low voltage dimmer with magnetic transformer.

Standards: UL & CUL Listed.

FIXTURE PERFORMANCE

Color Temp	Input	Watt	Lumens	Efficacy	CBCP		CRI
					25°	40°	
3000K	12V	3W*	110	36 Lm/W*	1536	699	85

*Power consumption may vary depending on the efficiency of the system being used, LED may be retrofit to existing 12V systems.

APPLICATION PERFORMANCE

▲ 0° Aiming Angle
(ceiling to floor)

▼ 45° Aiming Angle
(ceiling to wall)

Dist.	QF-LED101-W-F			QF-LED101-W-W		
	FC	L	W	FC	L	W
3 ft	171	0.6	0.6	78	0.9	0.9
6 ft	42	1.3	1.3	19	1.9	1.9
9 ft	19	1.9	1.9	9	2.8	2.8
12 ft	11	2.5	2.5	5	3.8	3.8

QF-LED101-W-F			QF-LED101-W-W		
FC	L	W	FC	L	W
60	1.3	0.9	27	1.9	1.3
15	2.6	1.8	7	3.9	2.7
7	3.8	2.7	3	5.8	4.0
4	5.1	3.6	2	7.8	5.3

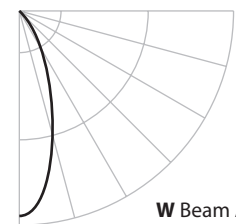
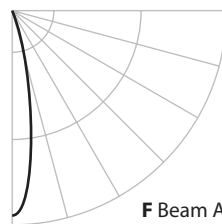
FC- Initial footcandle level at the center of the beam

L- Beam length at the point the candlepower drops off to 50% of maximum*

W- Beam width at the point the candlepower drops off to 50% of maximum*

*Measured in feet

PHOTOMETRY







ORDER NUMBER

Model #	Beam Angle	Finish
QF-LED101-W	F 25°	BN Brushed Nickel
	W 40°	DB Dark Bronze
		WT White

FINISHES



FIXTURE EXTENSIONS (ORDER SEPARATELY)

	Q-X18 18"	BN Brushed Nickel DB Dark Bronze
	Q-X24 24"	
	Q-X36 36"	
	Q-X48 48"	

QF-LED101-W - -

Example: QF-LED101-W-F-BN

WAC Lighting

www.waclighting.com
Phone (800) 526.2588 • Fax (800) 526.2585

Headquarters/Eastern Distribution Center

44 Harbor Park Drive • Port Washington, NY 11050
Phone (516) 515.5000 • Fax (516) 515.5050

Western Distribution Center

1750 Archibald Avenue • Ontario, CA 91760
Phone (800) 526.2588 • Fax (800) 526.2585






OVUM – model: QF-LED101-W

Quick Connect™ Adapters and Canopies

WAC LIGHTING

Responsible Lighting®


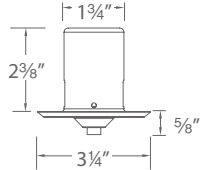
QUICK CONNECT™ ADAPTERS (order one per fixture)





Solorail™	Model #	Finish	Duorail™	Model #	Finish						
	LM-QADP	BN CH DB		LM2-QADP	BN CH DB						
W Track		EN-WQ50AR	BK PT WT	120V Track		EN-LQ50AR EN-HQ50AR EN-JQ50AR	BK BN DB* WT	Flexrail1™		HM1-EN50	DB PT


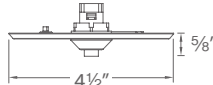

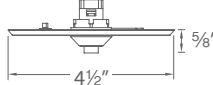
*DB finish only available for EN-HQ50AR


Monopoint Canopies (Remote Transformers Required)

- Order remote transformer separately
- No visible hardware

	Model	Finish
<p>Miniature Round Canopy with Wiring Compartment</p>   <ul style="list-style-type: none"> • The recessed "housing" is a wiring compartment with a knock-out that accepts trade size connectors • The housing is installed in the cutout hole first then the faceplate is attached 	QMP-MI-TR	BN <i>Brushed Nickel</i> CH <i>Chrome</i> DB <i>Dark Bronze</i>

	Model	Input	Output	Min Load	L	W	H	
Class 2 Enclosed Electronic Transformers	 EN-1260-RB2	120V	12V, 60W	1W	6½"	1⅝"	1¼"	<i>Fits through small openings</i>
	 EN-12120-RB2	120V	12V, 2 × 60W	1W	6"	3¼"	2⅝"	<i>Includes LED indicator lights and integral push in terminals</i>
	 EN-12180-RB2	120V	12V, 3 × 60W	1W	6¾"	3⅝"	2⅝"	
 EN-12300-RB2	120V	12V, 5 × 60W	1W	8½"	4⅝"	2⅝"		

<p>Round Canopy for Junction Box</p>   <ul style="list-style-type: none"> • Mounts over a standard 4" junction box • Base plate covers junction box opening, the canopy attaches to base plate with a metal nut 	QMP-1RN-TR	BN <i>Brushed Nickel</i> CH <i>Chrome</i> DB <i>Dark Bronze</i> WT <i>White</i>
<p>Square Canopy For Junction Box</p>   <ul style="list-style-type: none"> • Mounts over a standard 4" junction box • Base plate covers junction box opening, the canopy attaches to base plate with metal nut 	QMP-1SQ-TR	BN <i>Brushed Nickel</i> CH <i>Chrome</i> DB <i>Dark Bronze</i>

	Model	Input	Output	Min Load	L	W	H	
Class 2 Non-Enclosed Electronic Transformer	 EN-1260-R2	120V 50/60Hz	12V, 60W	1W	2⅝"	1⅝"	1"	<i>All Connections must be made in an enclosure for proper installations</i>

WAC Lighting
www.waclighting.com
Phone (800) 526.2588 • Fax (800) 526.2585

Headquarters/Eastern Distribution Center
44 Harbor Park Drive • Port Washington, NY 11050
Phone (516) 515.5000 • Fax (516) 515.5050

Western Distribution Center
1750 Archibald Avenue • Ontario, CA 91760
Phone (800) 526.2588 • Fax (800) 526.2585

OVUM – model: QF-LED101-W


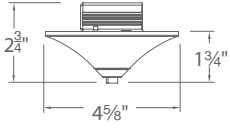

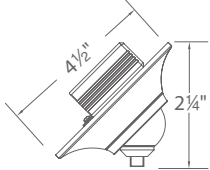
Quick Connect™ Adapters and Canopies

WAC LIGHTING

Responsible Lighting®

Monopoint Canopies (Integral Transformers)

- 1W minimum load
- 60W Integral electronic transformer
- Smooth and continuous ELV dimming
- For use with a 4" junction box; includes optional collar for shallow junction box


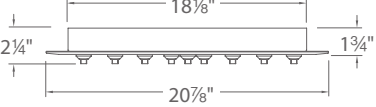

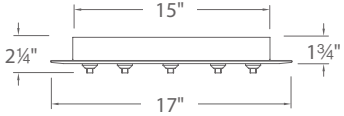

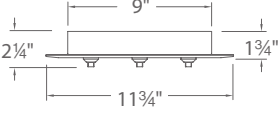

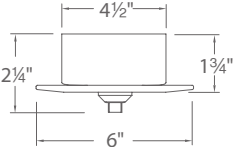

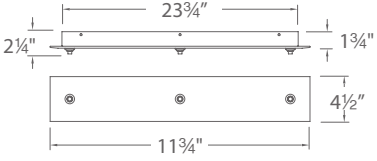
			Model	Finish
Adapter Canopy			QMP-60ERN	BN <i>Brushed Nickel</i> CH <i>Chrome</i> DB <i>Dark Bronze</i>
Sloped Ceiling Canopy			QMP-S60ERN	BN <i>Brushed Nickel</i> CH <i>Chrome</i> DB <i>Dark Bronze</i>

- Swivels up to 45° in either direction and will accept all WAC Lighting Quick Connect™ pendants and fixtures

Example: **QMP-60ERN-BN**

Mirror Glass Multipoint Canopies (Integral Transformers)

- 1W minimum load
- 60W Integral electronic transformer for each drop
- Smooth and continuous ELV dimming

			Model	Finish
12-Point Mirrored Canopy Round			QMP-G12RN	
6-Point Mirrored Canopy Round			QMP-G6RN	
3-Point Mirrored Canopy Round			QMP-G3RN	MR <i>Mirror</i>
1-Point Mirrored Canopy Round			QMP-G1RN	
3-Point Mirrored Canopy Rectangular			QMP-G3RE	

Example: **QMP-G6RN-MR**

WAC Lighting
www.waclighting.com
Phone (800) 526.2588 • Fax (800) 526.2585

Headquarters/Eastern Distribution Center
44 Harbor Park Drive • Port Washington, NY 11050
Phone (516) 515.5000 • Fax (516) 515.5050

Western Distribution Center
1750 Archibald Avenue • Ontario, CA 91760
Phone (800) 526.2588 • Fax (800) 526.2585