

# 2" OCULUX - Open reflector

R2BRD, R2BSD

# WAC LIGHTING

Responsible Lighting®



Fixture Type:

Catalog Number:

Project: \_\_\_\_\_

Location: \_\_\_\_\_

## PRODUCT DESCRIPTION

Designed to fit in tight plenum space

## FEATURES

- Energy Star® Rated
- Title 24 Compliant
- Cutout: 3<sup>9</sup>/<sub>16</sub>"
- Single spot light source
- Sold as new construction, may be reconfigured in the field for remodel
- ELV or TRIAC or 0-10V dimming compatible

## SPECIFICATIONS

**Construction:** Die-cast aluminum trim with aluminum heat sink

**Dimming:** 100% - 5% with 0-10V dimmer

100% - 5% with Electronic Low Voltage (ELV/TRIAC) dimmer

**Input:** 120V AC

**Power:** 9W, power factor 0.98

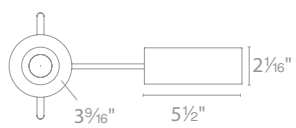
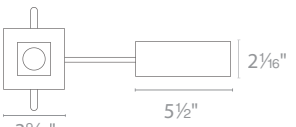
**Finish:** Powder coated

**Standards:** ETL & cETL Listed, wet location listed trims

IC-rated airtight housing

**Ceiling thickness:** 1/2" - 1"

## TRIM (SEE NEXT PAGE FOR HOUSING)

	Beam	Color Temp	CRI	Lumen	CBCP	Finish	Interior/Trim
<b>R2BRD</b> Round Open Reflector 35°		<b>N</b> 25°	<b>927</b> 2700K <b>930</b> 3000K	90 90	635 680	2277 2437	<b>HZWT</b> Haze/White <b>BN</b> Brushed Nickel <b>WT</b> White
		<b>F</b> 45°	<b>927</b> 2700K <b>930</b> 3000K	90 90	625 670	1267 1356	<b>HZWT</b> Haze/White <b>BN</b> Brushed Nickel <b>WT</b> White
<b>R2BSD</b> Square Open Reflector 44°		<b>N</b> 25°	<b>927</b> 2700K <b>930</b> 3000K	90 90	655 700	2164 2316	<b>HZWT</b> Haze/White <b>BN</b> Brushed Nickel <b>WT</b> White
		<b>F</b> 45°	<b>927</b> 2700K <b>930</b> 3000K	90 90	645 695	1138 1322	<b>HZWT</b> Haze/White <b>BN</b> Brushed Nickel <b>WT</b> White

**R2BRD-** \_\_\_\_\_ - \_\_\_\_\_

Example: **R2BRD-N930-BN**

waclighting.com  
 Phone (800) 526.2588  
 Fax (800) 526.2585

Headquarters/Eastern Distribution Center  
 44 Harbor Park Drive  
 Port Washington, NY 11050

Central Distribution Center  
 1600 Distribution Ct  
 Lithia Springs, GA 30122

Western Distribution Center  
 1750 Archibald Avenue  
 Ontario, CA 91760

# 2" OCULUX - Open reflector

R2BRD, R2BSD

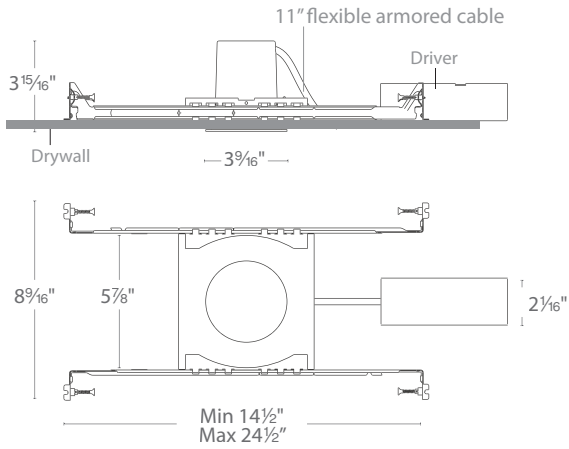
# WAC LIGHTING

Responsible Lighting®

## INTEGRAL HOUSING AND TRIM: BOTH NEW CONSTRUCTION & REMODEL

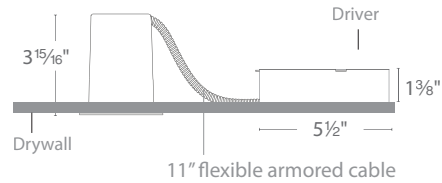
### NEW CONSTRUCTION CONFIGURATION

IC-Rated, Airtight



### REMODEL CONFIGURATION

IC-Rated, Airtight



waclighting.com  
Phone (800) 526.2588  
Fax (800) 526.2585

Headquarters/Eastern Distribution Center  
44 Harbor Park Drive  
Port Washington, NY 11050

Central Distribution Center  
1600 Distribution Ct  
Lithia Springs, GA 30122

Western Distribution Center  
1750 Archibald Avenue  
Ontario, CA 91760