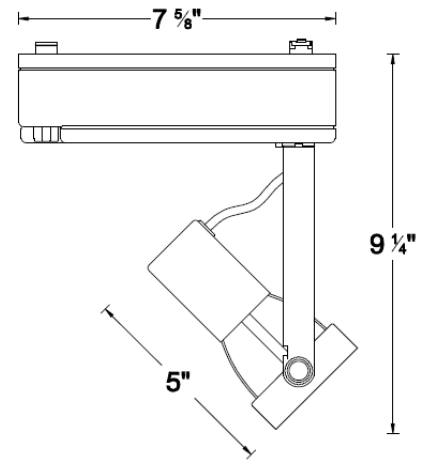
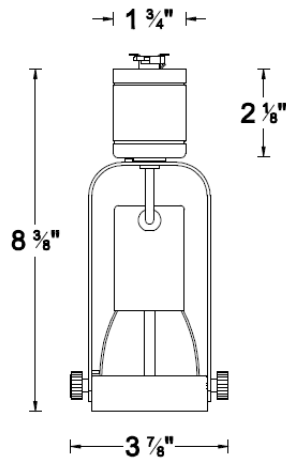


METAL HALIDE TRACK LUMINAIRES

SERIES 763-39E



Ordering Matrix

Model			Series	Finish		
[]			[]	[]		
HTK	JTK	LTK	763-3E	BK	PT/BK PT/WT	WT

Ordering Example (model – series – finish): HTK-763-39E-WT

Product Details

Description: Metal Halide track luminaires.

Materials: Formed metal with polycarbonate track adaptor and aiming screws in black or white to match track finish. Medium base 250V porcelain socket with nickel-plated copper screw shell.

Aiming: 350° horizontal rotation and 90° vertical aiming. Two aiming screws (one on each side of fixture) lock fixture aiming angle.

Lamping: Uses medium base CDM PAR20 lamps, 39W max.

Systems: HTK is used with the WAC H system track (HT).
JTK is used with the WAC J system and J2 system track (JT & J2-T).
LTK is used with the WAC L system track (LT)

Finish: Abrasion resistant power coat paint finish.
Available in Black (BK), White (WT), Platinum (PT)

Listing: UL & CUL Listed.

Ballasts

- Pulse start electronic ballast. Operates more efficiently and consume up to 20% less energy than magnetic ballasts. Electronic ballasts increase lamp life, while reducing visual flicker.
- | | |
|---------------------|-------|
| ANSI# | M-130 |
| Operating Amps | 0.37A |
| Total input Power | 44W |
| Power Factor | >95% |
| Sound Rating | A |
| Harmonic Distortion | <10% |
- 5 year WAC Lighting product warranty.