

INSTRUCTIONS: 6" Series Sloped Ceiling Reflector Trims

Models: R6VT-41 R6VT-42 R6VT-43 R6VT-44

Important:

Read all instructions before installing.

System is intended for installation in accordance with National Electric Code, and local regulations. Consult with local inspector to assure compliance.

To reduce the risk, electrical shock, turn off power at main switch before installing or modifying the system. Retain instructions for future maintenance reference.

Overview:

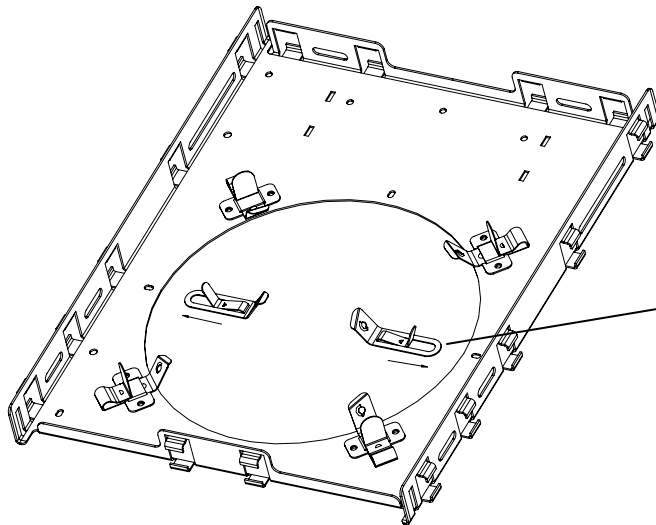
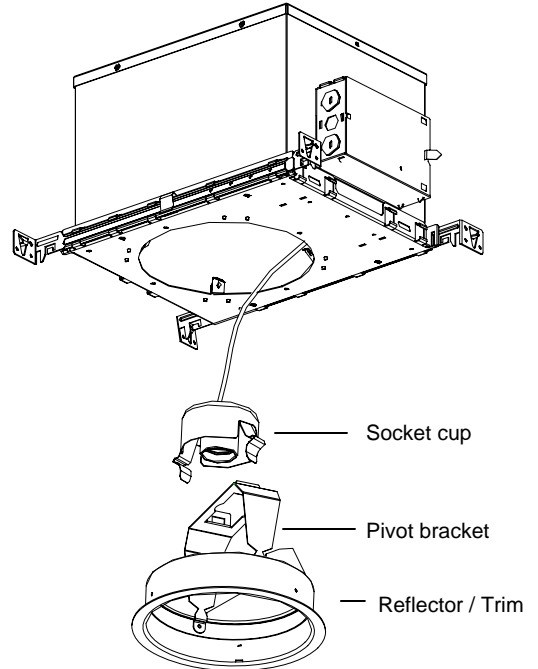
Sloped Ceiling Reflector Trims fit the model R6VI-B-ICA housing. The housing is rated for new construction, is suitable for contact with insulation, and is "Air Tight Ready".

Sloped Ceiling trims:

1. Snap the socket cup on to the pivot bracket as shown.
2. Push the reflector / trim assembly up until it is tight against the ceiling.
3. Note: Due to the flat areas formed where the pivot bracket attaches to the trim assembly, the trim will only fit into the housing at a right angle. Supplemental clips may be used to accommodate the rare circumstance of an "off angle" installation.
4. The baffle can only be inserted into the reflector / trim with one orientation. Install by aligning the key slot on the baffle with the tab on the trim and push up until baffle seats.

Air Tight installation:

1. Housing is supplied "air tight ready". The addition of a gasket kit (RGK) with metallic tape is needed to seal remaining slots or openings.
2. Complies with State of Washington Energy Code requirements for airtight housings, when installed with gasket kit.



Supplemental clips are used only when trims are installed at a 45° relative to the sides of the housing.

Slides on and provides firm grip with the trim surface.

