

WAC LIGHTING

Argo

Outdoor Wall Sconce 3000K

Fixture Type: _____

Catalog Number: _____

Project: _____

Location: _____

| Model & Size | Color Temp | Finish | LED Watts | LED Lumens | Delivered Lumens |
|--------------|------------|----------|-----------|------------|------------------|
| WS-W39305 5" | 3000K | BK Black | 10W | 950 | 443 |

Example: **WS-W39305-BK**

For custom requests please contact customs@wacighting.com

DESCRIPTION

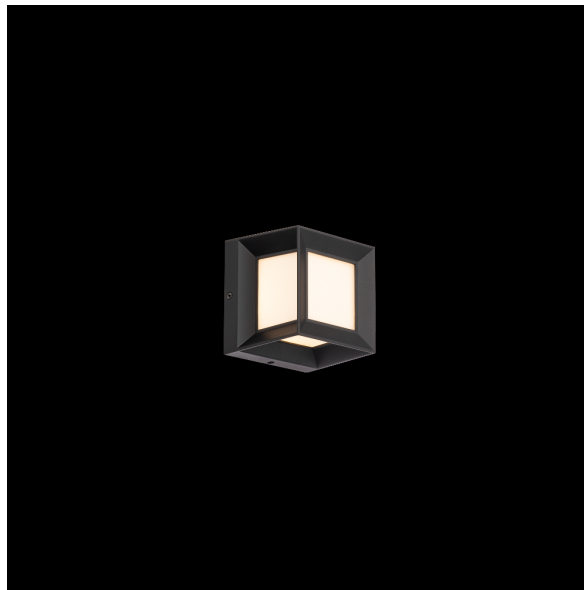
Squarely there. A harmonious outline capturing etched diffusers shining with a uniform glow.

FEATURES

- Illumination on five sides with acrylic diffuser
- ACLED driverless technology
- 5 Year warranty

SPECIFICATIONS

| | |
|---------------|-------------------------------------------------------|
| Color Temp: | 3000K |
| Input: | 120 VAC,50/60Hz |
| CRI: | 90 |
| Dimming: | ELV: 100-5% ,TRIAC: 100-10% |
| Rated Life: | 60000 Hours |
| Mounting: | Can be mounted on ceiling or wall in all orientations |
| Standards: | ETL, cETL,IP65,Title 24 JA8 Compliant |
| | Wet Location Listed |
| Construction: | Aluminum body with PC diffuser |

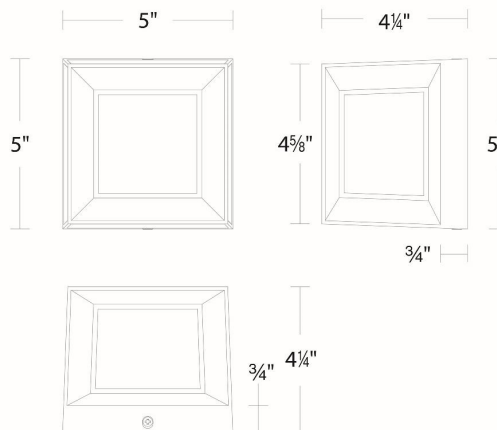


FINISHES:



Black

LINE DRAWING:



WS-W39305

WAC LIGHTING

Argo

Outdoor Wall Sconce 3000K

Fixture Type: _____

Catalog Number: _____

Project: _____

Location: _____

| Model & Size | Color Temp | Finish | LED Watts | LED Lumens | Delivered Lumens |
|---------------|------------|----------|-----------|------------|------------------|
| WS-W39310 10" | 3000K | BK Black | 20W | 2405 | 1121 |

Example: **WS-W39310-BK**

For custom requests please contact customs@wacighting.com

DESCRIPTION

Squarely there. A harmonious outline capturing etched diffusers shining with a uniform glow.

FEATURES

- Illumination on five sides with acrylic diffuser
- ACLED driverless technology
- 5 year warranty

SPECIFICATIONS

| | |
|---------------|-------------------------------------------------------|
| Color Temp: | 3000K |
| Input: | 120 VAC,50/60Hz |
| CRI: | 90 |
| Dimming: | ELV: 100-5% ,TRIAC: 100-10% |
| Rated Life: | 60000 Hours |
| Mounting: | Can be mounted on ceiling or wall in all orientations |
| Standards: | ETL, cETL,IP65,Title 24 JA8 Compliant |
| | Wet Location Listed |
| Construction: | Aluminum body with PC diffuser |

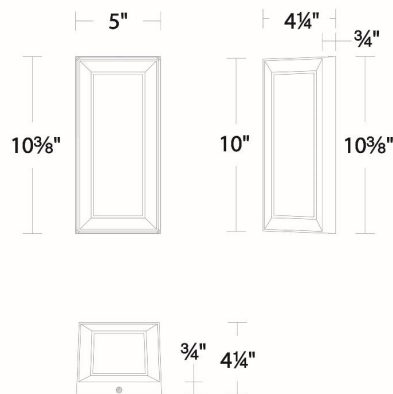


FINISHES:



Black

LINE DRAWING:



WS-W39310

WAC LIGHTING

Argo

Outdoor Wall Sconce 3000K

Fixture Type: _____

Catalog Number: _____

Project: _____

Location: _____

| Model & Size | Color Temp | Finish | LED Watts | LED Lumens | Delivered Lumens |
|---------------|------------|----------|-----------|------------|------------------|
| WS-W39316 16" | 3000K | BK Black | 30W | 4310 | 2009 |

Example: **WS-W39316-BK**

For custom requests please contact customs@wacighting.com

DESCRIPTION

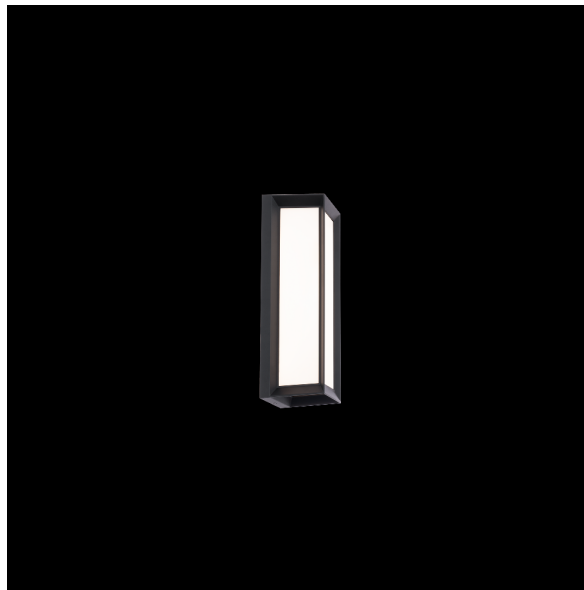
Squarely there. A harmonious outline capturing etched diffusers shining with a uniform glow.

FEATURES

- Illumination on five sides with acrylic diffuser
- ACLED driverless technology
- 5 year warranty

SPECIFICATIONS

| | |
|---------------|-------------------------------------------------------|
| Color Temp: | 3000K |
| Input: | 120 VAC,50/60Hz |
| CRI: | 90 |
| Dimming: | ELV: 100-5% ,TRIAC: 100-10% |
| Rated Life: | 60000 Hours |
| Mounting: | Can be mounted on ceiling or wall in all orientations |
| Standards: | ETL, cETL,IP65,Title 24 JA8 Compliant |
| | Wet Location Listed |
| Construction: | Aluminum body with PC diffuser |

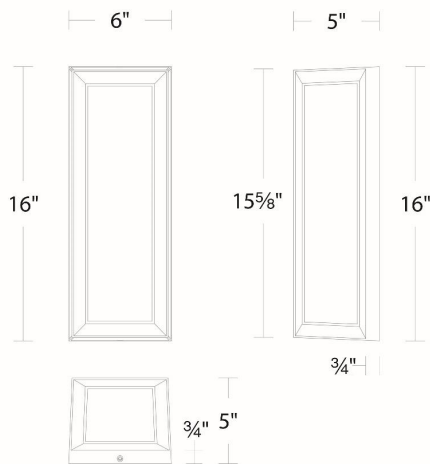


FINISHES:



Black

LINE DRAWING:



WS-W39316