

WAC LIGHTING

Low Voltage Multiple Spots

3 Light Trim Lamp Included

| Model | Finish |
|-------------|-------------------|
| MT-316LED | WT/WT White/White |
| MT-316LEDTL | WT White |

Example: **MT-316LED-WT/WT**

DESCRIPTION

Low Voltage Multiple Spots are ideal for perimeter lighting applications in smaller scale retail, commercial and hospitality environments. Square single light gimbal ring style adjustable recessed fixture, available with flanged trim or Invisible Trim™, designed to sit flush with the ceiling for a clean architectural look. Housing, trim, and lamp are sold separately.

FEATURES

- Trim version has a 1/4" low profile, Invisible Trim™ sits flush to ceiling
- The supplied clear glass lens can be replaced by a variety of lenses or accessories
- 5 year warranty

SPECIFICATIONS

| | |
|----------------------|--|
| Construction: | Stamped metal trim |
| Power: | 21W |
| Light Source: | LED MR16 (Included) |
| Cut Out: | Trimless : 5 5/8" x 13 3/4", Trim : 5 3/16" x 13 1/4" |
| Finish: | Electrostatically Powder Coated: White, Electrostatically Powder Coated: White/White |
| Standards: | UL, cUL, Damp Location Listed |

Fixture Type: _____

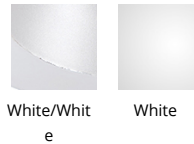
Catalog Number: _____

Project: _____

Location: _____



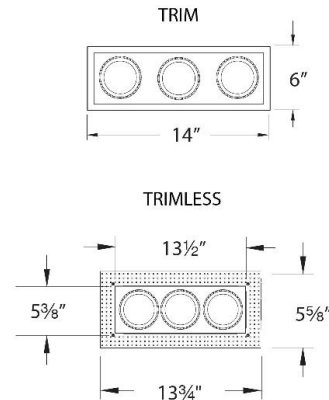
FINISHES:



White/White

White

LINE DRAWING:



WAC LIGHTING

Low Voltage Multiple Spots

3 Light Housing

Model & Product

MT-316HS Low Voltage Multiple Three
Light Non-IC Housing

Example: **MT-316HS**

DESCRIPTION

Low Voltage Multiple Spots are ideal for perimeter lighting applications in smaller scale retail, commercial and hospitality environments. Square single light gimbal ring style adjustable recessed fixture, available with flanged trim or Invisible Trim™, designed to sit flush with the ceiling for a clean architectural look. Housing, trim, and lamp are sold separately.

FEATURES

- Electronic short circuit and overload protection with automatic reset
- Soft start to prolong lamp life
- Transformer concealed within the fixture
- 5 year warranty

SPECIFICATIONS

| | |
|---------------------------|---|
| Construction: | Aluminum hardware with mouth blown etched glass diffuser |
| Input: | 120 VAC, 50/60Hz |
| Dimming: | ELV: 100-10% |
| Light Source: | Halogen or LED MR16 |
| Mounting: | Supplied with hanger bars, adjustable from 15"-24 1/2" to accommodate various joist construction and grid sizes |
| Ceiling Thickness: | 1/2" - 1" |
| Standards: | UL, cUL, Damp Location Listed, Non IC |

Fixture Type: _____

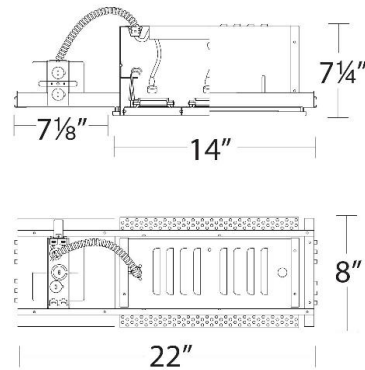
Catalog Number: _____

Project: _____

Location: _____



LINE DRAWING:



WAC LIGHTING

Low Voltage Multiple Spots 3 Light Trim Lamp Included







Fixture Type: _____

Catalog Number: _____

Project: _____

Location: _____

ACCESSORIES

| | <i>Model</i> | <i>Description</i> | <i>Finish</i> |
|---|--|--|-------------------------------|
|  | LENS-16-RED LENS-16-GRN LENS-16-BLU LENS-16-AMB | Colored Lens Colored Lens Colored Lens Colored Lens | Red Green Blue Amber |
|  | LENS-16-FR | Clear/Frosted Lens | Frosted |
|  | LENS-16-SPR | Spread Lens | Spread Lens |
|  | LENS-16-UVF | UV Filter lens | Clear |
|  | LENS-16-BEL | Beam Elongating Lens | Beam Elongating |
|  | LENS-16-HCL | Honeycomb Louver | Black |