

# WAC LIGHTING

## Lune

Pendant 3000K

Fixture Type: \_\_\_\_\_

Catalog Number: \_\_\_\_\_

Project: \_\_\_\_\_

Location: \_\_\_\_\_

Model & Size	Color Temp	Finish	LED Watts	LED Lumens	Delivered Lumens
PD-16063 63"	3000K	AL Brushed Aluminum	23W	2300	1355

Example: **PD-16063-AL**

For custom requests please contact [customs@wacighting.com](mailto:customs@wacighting.com)

### DESCRIPTION

Futuristic Industrial. Segmented powerful design. Adjusts to your demands.

### FEATURES

- Slim, low profile design provides diffuse illumination
- Each light bar is 300 degree adjustable to enable upward and downward illumination
- Can be mounted on a sloped ceiling
- Driver concealed within the canopy
- 5 Year warranty

### SPECIFICATIONS

Color Temp:	3000K
Input:	120 VAC,50/60Hz
CRI:	90
Dimming:	ELV: 100-10% ,TRIAC: 100-10%
Rated Life:	50000 Hours
Standards:	ETL, cETL, Title 24 JA8 Compliant Damp Location Listed
Construction:	Aluminum hardware with silk screen glass diffuser

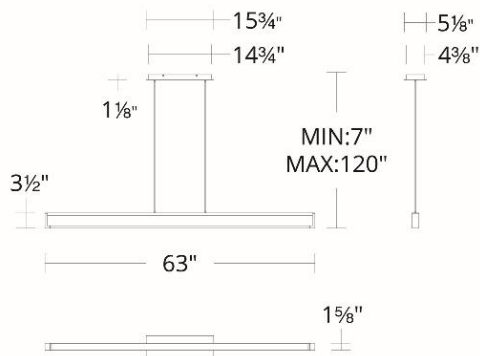


### FINISHES:



Brushed  
Aluminum

### LINE DRAWING:



PD-16063