

WAC LIGHTING

Turbo

Bath & Vanity Light

Fixture Type: _____

Catalog Number: _____

Project: _____

Location: _____

Model	Color Temp & CRI	Lumens	Finish
WS-180414	30 3000K - 90	950 1000	BN Brushed Nickel
	35 3500K - 90		CH Chrome

Example: **WS-180414-35-CH**

For custom requests please contact customs@wacighting.com

DESCRIPTION

With soft illumination diffused through translucent acrylic, Turbo adds a clean, modern look to baths and other types of modern décor.

FEATURES

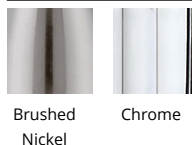
- Multiple LED array for uniform illumination
- Driver concealed within the fixture
- 5 year warranty

SPECIFICATIONS

Color Temp:	3500K,3000K
Input:	120-277 VAC,50/60Hz
CRI:	90
Dimming:	ELV: 100-5% ,TRIAC: 100-5%
Rated Life:	50000 Hours
Mounting:	Installs over a 3" or 4" Junction Box,Can be mounted on ceiling or wall vertically
Standards:	ETL, cETL,Title 24 JA8 Compliant,Energy Star 2.0 Damp Location Listed
Construction:	Nickel plated steel with polycarbonate diffuser

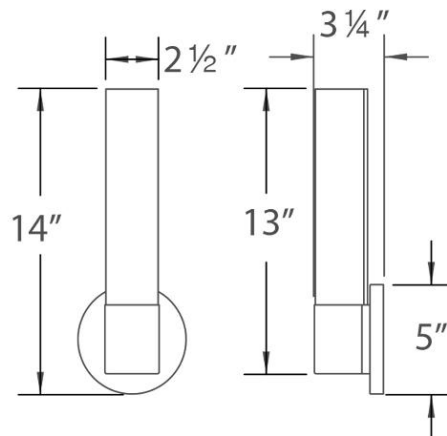


FINISHES:



Brushed Nickel Chrome

LINE DRAWING:



WS-180414

WAC LIGHTING

Turbo

Bath & Vanity Light

Fixture Type: _____

Catalog Number: _____

Project: _____

Location: _____

Model	Color Temp & CRI	Lumens	Finish
WS-180424	30 3000K - 90	1480	BN Brushed Nickel
	35 3500K - 90	1570	CH Chrome

Example: **WS-180424-35-CH**

For custom requests please contact customs@wacighting.com

DESCRIPTION

With soft illumination diffused through translucent acrylic, Turbo adds a clean, modern look to baths and other types of modern décor.

FEATURES

- Multiple LED array for uniform illumination
- Driver concealed within the fixture
- 5 year warranty

SPECIFICATIONS

Color Temp:	3500K,3000K
Input:	120-277 VAC,50/60Hz
CRI:	90
Dimming:	ELV: 100-5% ,TRIAC: 100-5%
Rated Life:	50000 Hours
Mounting:	Installs over a 3" or 4" Junction Box,Can be mounted on ceiling or wall in all orientations
Standards:	ETL, cETL,Title 24 JA8 Compliant,Energy Star 2.0 Damp Location Listed
Construction:	Nickel plated steel with polycarbonate diffuser

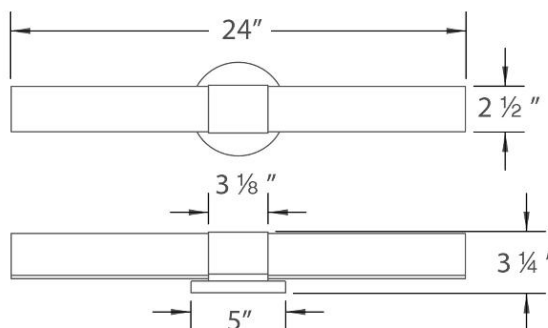


FINISHES:



Brushed Nickel Chrome

LINE DRAWING:



WS-180424