

INSTALLATION & FUNCTIONAL INSTRUCTION

Wireless DMX Controller for 24VDC Fixture

CTR-WDMX-24VDC



SAFETY INSTRUCTION

IMPORTANT: NEVER attempt any work without shutting off the electricity.

- Always turn off power at fuse box prior to installation to prevent electrical shock.
- Intended for indoor & outdoor use. Suitable for dry, damp and wet locations.
- Install in accordance with national electric code, and local regulations.
- Consult with local inspector to assure compliance.
- Do not submerge, IP65 wet rated.
- Do not connect the unit directly to 120V AC Line

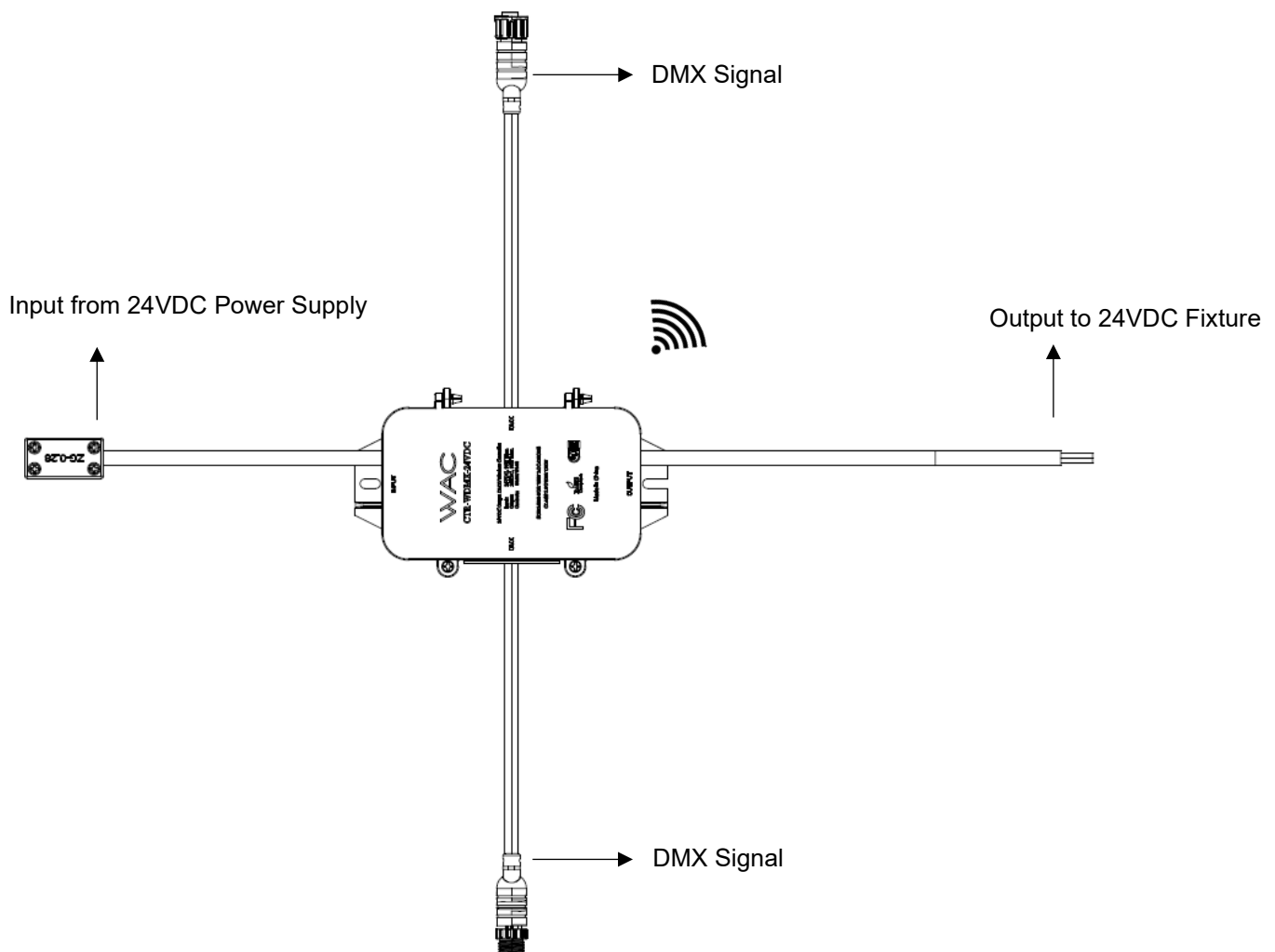
CAUTION – TO REDUCE RISK OF FIRE AND ELECTRICAL SHOCK

- Read all instructions before installing.
- Handle product with care.
- To reduce the risk of overheating and potential fire risk, make sure all connections are tight.
- Do not modify or disassemble product beyond instructions or warranty will be void.
- Failure to follow safety warnings, and installation instruction will void the warranty

ATTENTION - AFIN DE RÉDUIRE LES RISQUES D'INCENDIE ET DE CHOC ÉLECTRIQUE

- Lire toutes les instructions avant d'installer.
- Manipuler le produit avec soin.
- Afin de réduire le risque de surchauffe et d'incendie potentiel, s'assurer que toutes les connexions sont bien serrées.
- Ne pas modifier ou démonter le produit au-delà des instructions sous peine d'annuler la garantie.
- Ne pas respecter les avertissements de sécurité et des instructions d'installation annulera la garantie.

PRODUCT OVERVIEW



AiSPIRE.com
Phone (800) 526.2588
Fax (800) 526.2585

Headquarters/Eastern Distribution Center
44 Harbor Park Drive
Port Washington, NY 11050

Central Distribution Center
1600 Distribution Ct
Lithia Springs, GA 30122

Western Distribution Center
1750 Archibald Ave
Ontario, CA 91761

GENERAL FUNCTIONAL INSTRUCTION:

1. OPERATION MODE

Select either Wi-Fi or DMX Mode. Both modes cannot be concurrently enabled. Wi-Fi operates exclusively on the 2.4GHz band. DMX Mode is compatible with both DMX 512-A and RDM (Remote Device Management).

FIG. 1



The example depicted above illustrates the selection of Wi-Fi Mode.

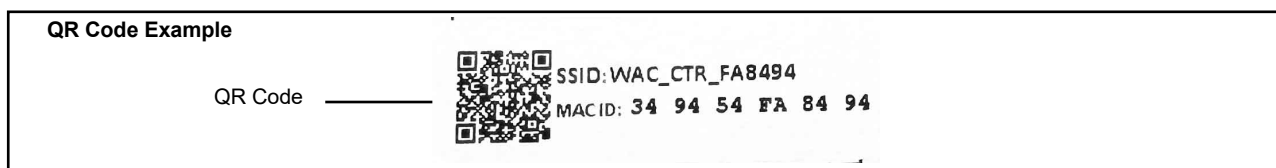
2. CASE IP RATING

Ensure the plastic lid cover is securely closed post-installation to preserve the IP65 rating.

WI-FI CONTROL INSTRUCTION:

1. Ensure that the Wi-Fi operation mode is chosen.
2. Launch the MyWAC mobile app and proceed by following the on-screen instructions. The QR code located on the product sticker will be required for the Wi-Fi device pairing process, and you can locate this QR code upon opening the plastic cover case.

FIG. 2



If QR Code pairing does not work, you may try to pair the device with “I don’t have a QR code” mode on MyWAC app, once that is selected, MyWAC mobile app will start searching device nearby to pair. Unit can be indentify by looking at the SSID sticker on the product.

DMX INPUT CONTROL INSTRUCTION:

1. DMX INPUT

There is only one way to connect DMX Universe to the system through XLR 3 pins with accessories T24-OD-MW60 or T24-OD-MW120. To interconnect between wireless DMX Controller unit, please use T24-OD-SW60 or T24-OD-SW120 to daisy chain of DMX signal between controller unit.

2. DMX DECODER ADDRESS SETTING

The DMX starting address set by rotating a rotary dial using a flat head screwdriver. The DMX addresses for output channels 1 to 3 are consecutively aligned, as shown in Figure 3 and 4.

FIG. 3

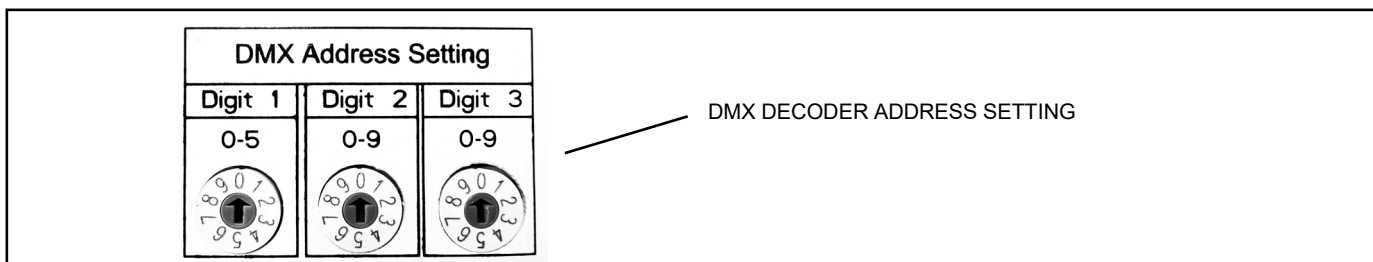
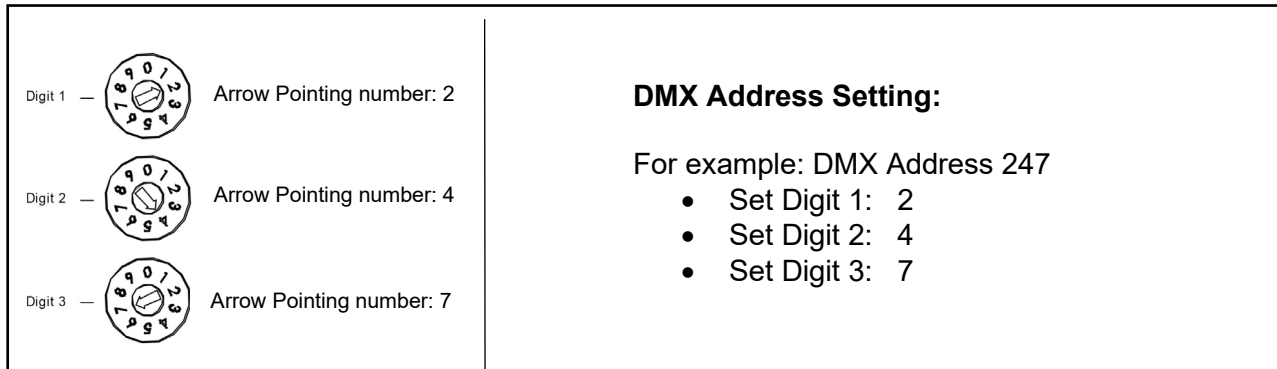


FIG. 4



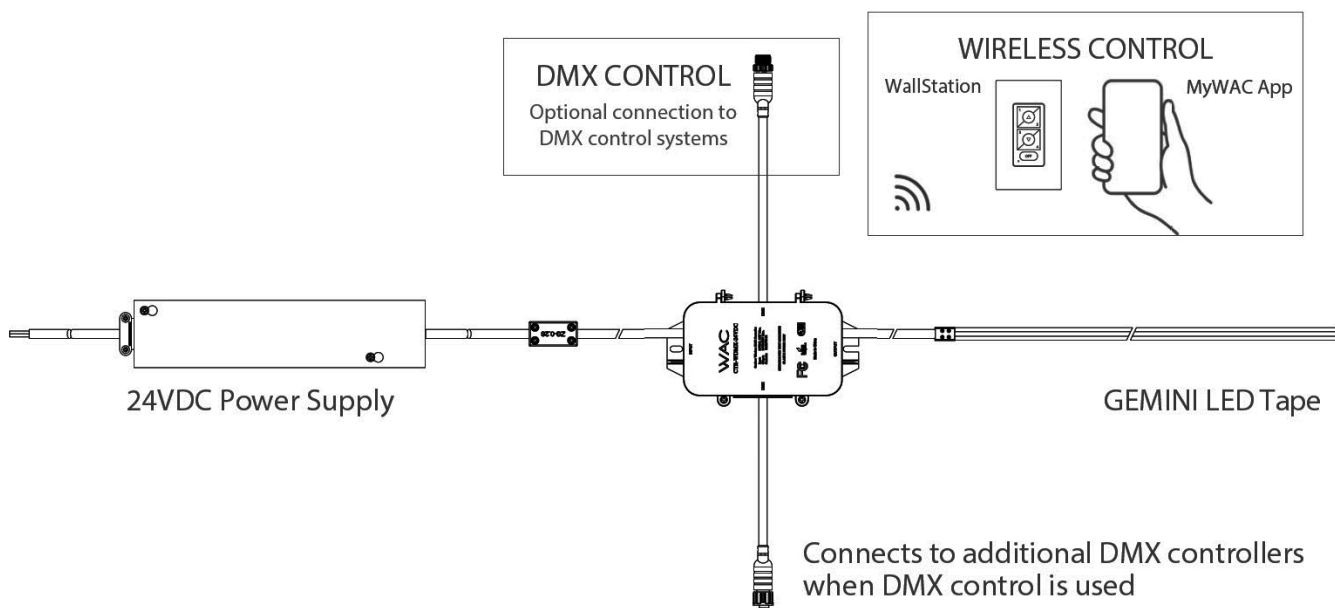
3. REMOTE DEVICE MANAGEMENT (RDM) SUPPORT

The DMX LED Controller offers support for the RDM protocol, facilitating remote configuration of both DMX starting addresses and DMX controllers for each channel. When connected to an RDM controller and the DMX address is established, the hardware settings via the rotary dial will be superseded. However, as long as the DMX address set through the rotary dial remains unchanged, the RDM controller will retain control. Should the DMX address be modified through the rotary dial, control will revert to the rotary dial setting. In RDM control mode, the RDM controller can configure a single DMX address, aligning all subsequent addresses in sequence. The RDM Serial number can be located on the product sticker inside the plastic cover.

FIG. 5



EXAMPLE INSTALLATION FOR WIRELESS AND DMX CONTROL



Wi-Fi & MOBILE APP CONTROL INSTRUCTION:

1. ANTENNA

Outdoor Wireless DMX Controller is equipped with an internal antenna that is fully enclosed within the case for optimal performance. To ensure the best Wi-Fi signal reception and functionality, please take note of the following installation instructions:

1. Avoid Metal Cabinets or Cages: Do not install this product inside a metal cabinet, cage, or any other enclosure that may obstruct the Wi-Fi signal. Metal surfaces can significantly degrade Wi-Fi signal strength and range.

2. Unobstructed Placement: For the most reliable Wi-Fi connection, position the product in an open area without any metal barriers or obstructions that could impede the wireless signal.

2. CONFIGURE WIRELESS DMX LED CONTROLLER WITH WAC APP

Wireless Control via MyWAC App:

In addition to its compatibility with DMX control, this wireless DMX LED controller can also be configured and controlled using the MyWAC App. To utilize the MyWAC App, you can download it free of charge from the App Store (iOS) or Google Play (Android) by searching for "MyWAC" and following the app's instructions.

For quick access to the web page for downloading the "MyWAC" mobile app, please click on the link provided below.

<https://www.waclighting.com/apps/>

3. PINHOLE RESET

Wi-Fi Reset Procedure:

The Wi-Fi settings can be reset by following these steps:

1. While the unit is powered on, locate the pinhole reset button.
2. Insert a pin into the reset button.
3. Press and hold the reset button for a duration of 10 seconds.
4. Release the button after 10 seconds.
5. Wait a few moments, then proceed to follow the instructions provided in the mobile app for adding a new device.

This reset process will enable you to reconfigure your Wi-Fi settings as needed.

AMAZON ALEXA INTEGRATION

1. Install and connect the Wireless DMX LED controller to the "MyWAC" app.
2. Rename your controller's name to your preference. This name will be used to call the controller with Alexa voice assistant. You can rename the controller by following these steps on the "MyWAC" app: Menu - Setting - Location Details - XXX - Devices - Select your device to rename it.
3. Rename the product group to your preference. This name will be used to call the group with Alexa voice assistant. You can rename the group by following these steps on the "MyWAC" app: Menu - Groups - XXX - Name.
4. Download and open the Amazon Alexa app.
5. Under the devices section, select "Your Smart Home Skill" and click "Enable Smart Home Skills."
6. Search for the "MyWAC" Smart Home Skill.
7. Enable the skill.
8. Authorize the connection between Amazon Alexa and your MyWAC account.
9. Alexa will start looking for connected devices under the same Wi-Fi network.
10. Follow Alexa's steps to set up the location of each device.

Please note that Amazon Alex needs Internet connectivity to control it. If internet went down and you would like to control it, "MyWAC" can be used to control and operate without internet connectivity.

Alexa had pre-defined set of color name as following example:

Alexa colors: Red and pink

- Crimson
- Dark Red
- Firebrick
- Orange Red
- Red
- Deep Pink
- Hot Pink
- Light Pink
- Maroon
- Medium Violet Red
- Pale Violet Red
- Pink
- Plum
- Tomato

Alexa colors: Orange and peach

- Chocolate
- Dark Orange
- Orange Web
- Maroon
- Coral
- Light Coral
- Light Salmon
- Peru
- Salmon
- Sienna

Alexa colors: Yellow

- Gold
- Goldenrod
- Lime
- Olive
- Yellow

Alexa colors: Green

- Chartreuse
- Dark Green
- Dark Olive Green
- Dark Sea Green
- Forest Green
- Green
- Green Yellow
- Lawn Green
- Light Green
- Lime Green
- Medium Sea Green
- Medium Spring Green
- Olive Drab
- Pale Green
- Sea Green
- Spring Green
- Web Green
- Yellow Green

INSTALLATION & FUNCTIONAL INSTRUCTION
Wireless DMX Controller for 24VDC Fixture
CTR-WDMX-24VDC



Alexa colors: Blue

Blue
Cadet Blue
Cyan
Dark Blue
Dark Cyan
Dark Slate Blue
Dark Turquoise
Deep Sky Blue
Dodger Blue
Light Blue
Light Sea Green
Light Sky Blue
Medium Blue
Medium Turquoise
Midnight Blue
Navy Blue
Pale Turquoise
Powder Blue
Royal Blue
Sky Blue
Slate Blue
Steel Blue
Teal
Turquoise

Alexa colors: Purple

Blue Violet
Cornflower
Dark Magenta
Dark Orchid
Dark Violet
Fuchsia
Indigo
Lavender
Magenta
Medium Orchid
Medium Purple
Orchid
Purple
Rebecca Purple
Rosy Brown
Violet
Web Purple

Alexa colors: White

Alice Blue
Antique White
Blanched Almond
Cornsilk
Dark Khaki
Floral White
Gainsboro
Ghost White
Honeydew
Ivory
Khaki
Lavender Blush
Lemon Chiffon
Light Cyan
Light Goldenrod
Light Steel Blue
Light Yellow
Linen
Mint Cream
Misty Rose
Moccasin
Old Lace
Pale Goldenrod
Papaya Whip
Peach Puff
Seashell
Silver
Snow
Tan
Thistle
Wheat
White
White Smoke