

# INSTALLATION INSTRUCTION

## TWIST-N-LITE

### FM-240209



#### WARNING

IMPORTANT: NEVER attempt any work without shutting off the electricity.

- Read all instructions before installing.
- System is intended for installation by a qualified electrician in accordance with the National Electrical Code and local regulations.
- Go to the main fuse box, or circuit breaker. Place the main power switch in the "OFF" position and unscrew the fuse(s) or switch "OFF" the circuit breaker switch(es) that control the power to the fixture or room that you are working on.
- Place the wall switch in the "OFF" position.
- Supply conductors (Power Wires) Connecting the fixture must be rated minimum 90°C. If uncertain, consult an electrician.

#### CAUTIONS

- These luminaires (fixtures) are designed to meet the latest NEC requirements and are listed in full compliance with UL 1598.
- Before attempting installation, check your local electrical code, as it sets the wiring standards for your locality.

#### INSTALLATION

Uses 3" junction box, 4" junction box or a combination 3/0-4/0 electrical or pancake box.

1. Install the provided mounting plate to the junction box using the junction box screws provided. Please note the "This side up" sticker and mount that on the same side as the junction box.
2. Provide electrical service according to the "National Electrical Code" or your local electrical code to the outlet box.
3. Connect supply wires to canopy wires and insulate with proper wire nuts:  
Connect incoming ground wire to mounting plate ground wire (green or bare).  
Connect incoming common wire to fixture common (white).  
Connect incoming hot wire to fixture black wire.
4. Tighten the canopy to the mounting plate using the canopy screws provided.
5. Select the desired fixture color temperature by setting the sliding switch on the back of the fixture to the target CCT.
6. Raise the fixture to the canopy, guide the tabs on the back of the fixture into the slots in the mounting plate and twist the fixture to provide power and secure the fixture.

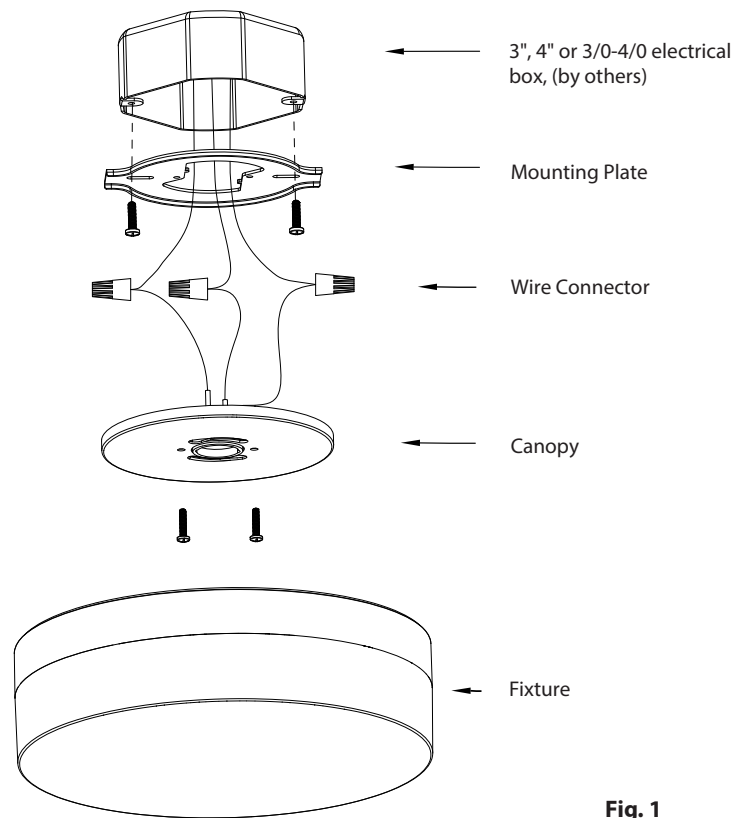


Fig. 1

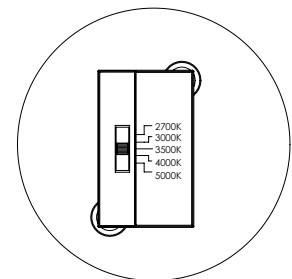


Fig. 2

waclighting.com	Headquarters/Eastern Distribution Center	South East Distribution Center	Central Manufacturing Facility	Western Distribution Center
Phone (800) 526.2588	44 Harbor Park Drive	1600 Distribution Ct	1700 South J Elmer Freeway	1750 Archibald Avenue
Fax (800) 526.2585	Port Washington, NY 11050	Lithia Springs, GA 30122	Suite 100	Ontario, CA 91761
			Cedar Hill, TX75104	