

INSTALLATION INSTRUCTION
LEDme - 4" IC New Construction Housing
 HR-LED418-NIC

WAC LIGHTING
 Responsible Lighting®

SAFETY INSTRUCTION

IMPORTANT: NEVER attempt any work without shutting off the electricity.

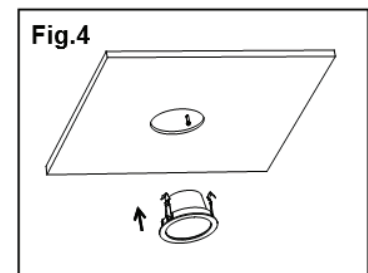
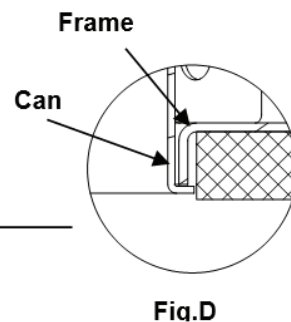
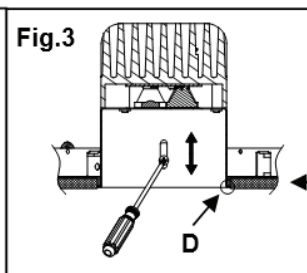
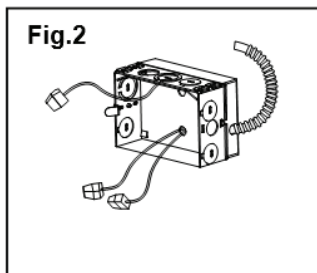
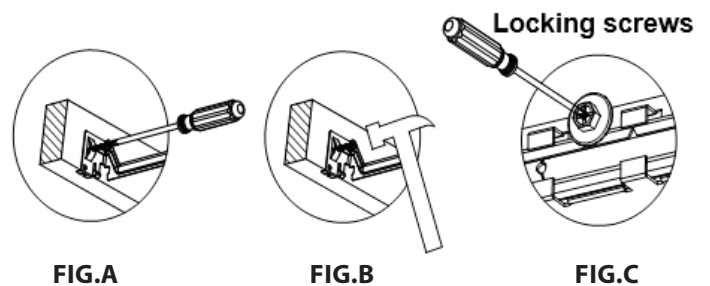
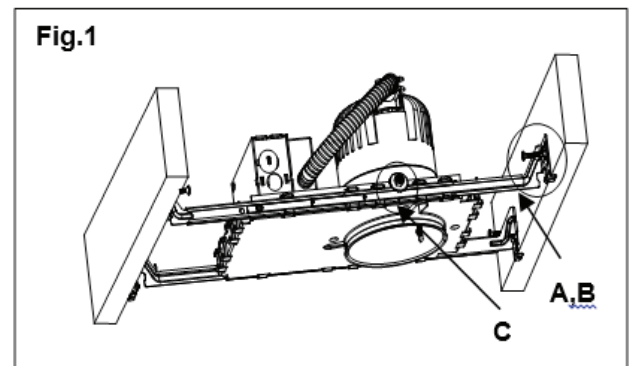
- Read all instructions before installing.
- For installation by a qualified electrician.
- System is intended for installation in accordance with National Electric Code, and local regulations.
- Consult with local inspector to assure compliance.
- To reduce the risk of fire, electrical shock and injuries to persons, turn off power at main switch before installing or modifying the system.
- Warning: (Risk of fire) do not install insulation within 3 inches of fixture sides, or junction box, or in a manner to entrap heat.
- Retain instructions for future maintenance reference.

OVERVIEW:

Housing is new construction type, 11 watts maximum. Type IC fixtures are designed for direct contact with insulating materials. Fixtures may also be used in non-insulated ceilings. Housing requires a trim from the HR-400 series. May be used with a standard incandescent dimmer switch, or an electronic low voltage dimmer.

MOUNTING:

1. Install mounting frame using two hanger bars, (24 1/2" max). Bars are notched on the ends to fit over "T" bars in suspended ceilings. Hanger bars include a captive mounting "screw-nail" for ease of installation (as Fig.1). Align the bottom of the hanger bar with the bottom of the wood joist. Secure the "screw-nail" on each end by screwdriver (as Fig.A), or by hammer (as Fig.B). Use locking screws to secure (as Fig.C).
2. Slide fixture along bar hangers into desired location.
3. Junction box is suitable for branch wiring and has trade size knockouts and integral non-metallic sheathed cable connectors.
4. Remove spring latched junction box door and connect fixture wires to building wires: insert each supply wire into appropriate junction box connector. Connect brown/black fixture wire to hot, blue/white fixture wire to neutral and green fixture wire to ground (as Fig.2).
5. Place all wiring and connectors back in wiring box and replace junction box door.
6. When installing in drywall, cut a hole 4 9/16" in the drywall. After installing drywall, if necessary, adjust fixture for ceiling thickness by loosening hex screws that attach the round housing to the plaster frame (as Fig.2).
7. Push the trim assembly up until the trim ring is flush to the ceiling (as Fig.4).



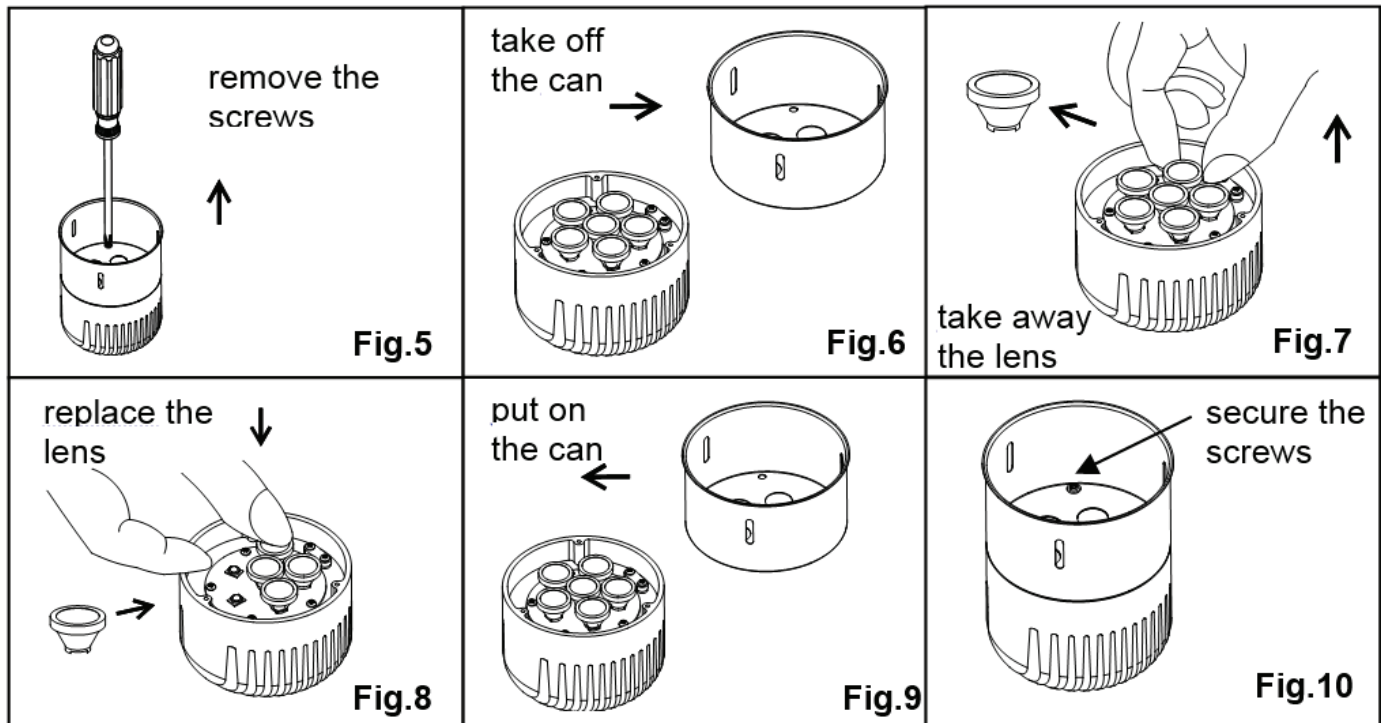
WAC Lighting
 www.waclighting.com
 Phone (800) 526.2588 • Fax (800) 526.2585

Headquarters/Eastern Distribution Center
 44 Harbor Park Drive • Port Washington, NY 11050
 Phone (516) 515.5000 • Fax (516) 515.5050

Western Distribution Center
 1750 Archibald Ave • Ontario, CA 91761
 Phone (800) 526.2588 • Fax (800) 526.2585

REPLACE LED LENS:

1. Remove the screws and take off the can (as Fig.5 and as Fig.6).
2. Replace the lens you choose (as Fig.7 and as Fig.8).
3. Put on the can and secure the screws (as Fig.9 and Fig.10).



INSTALLATION INSTRUCTION

LEDme - 4" Non-IC New Construction Housing

HR-LED418-N

WAC LIGHTING
Responsible Lighting®

SAFETY INSTRUCTION

IMPORTANT: NEVER attempt any work without shutting off the electricity.

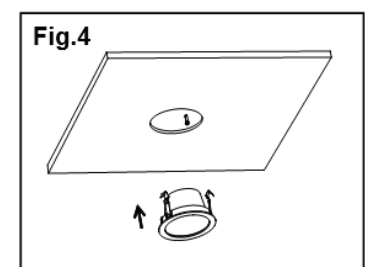
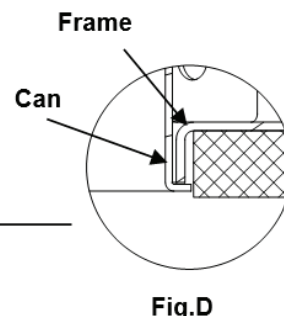
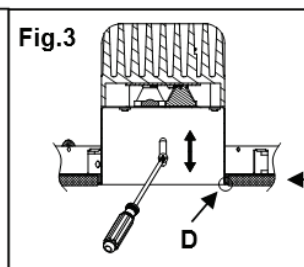
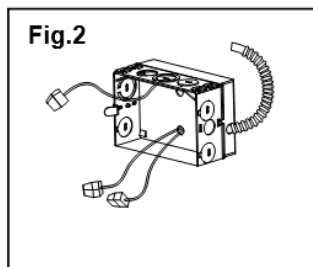
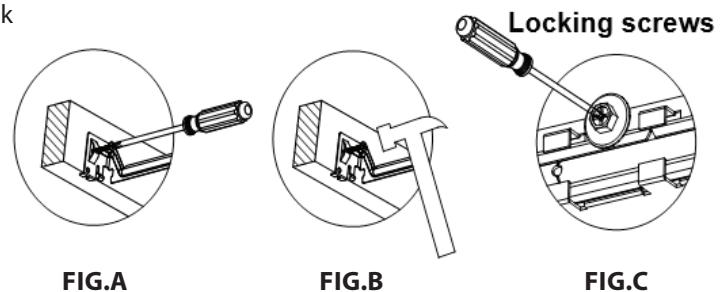
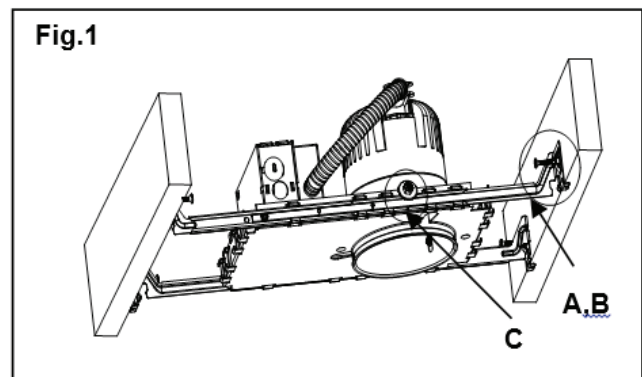
- Read all instructions before installing.
- For installation by a qualified electrician.
- System is intended for installation in accordance with National Electric Code, and local regulations.
- Consult with local inspector to assure compliance.
- To reduce the risk of fire, electrical shock and injuries to persons, turn off power at main switch before installing or modifying the system.
- Warning: (Risk of fire) do not install insulation within 3 inches of fixture sides, or junction box, or in a manner to entrap heat.
- Retain instructions for future maintenance reference.

OVERVIEW:

Housing is new construction type, 18 watts maximum. Housing requires a trim from the HR-400 series. May be used with a standard incandescent dimmer switch, or an electronic low voltage dimmer.

HOUSING INSTALLATION:

1. Install mounting frame using two hanger bars, (24 1/2" max). Bars are notched on the ends to fit over "T" bars in suspended ceilings. Hanger bars include a captive mounting "screw-nail" for ease of installation (as Fig.1). Align the bottom of the hanger bar with the bottom of the wood joist. Secure the "screw-nail" on each end by screwdriver (as Fig.A), or by hammer (as Fig.B).
2. Slide fixture along bar hangers into desired location. Use locking screws to secure (as Fig.C).
3. Junction box is suitable for branch wiring and has trade size knockouts and integral non-metallic sheathed cable connectors.
4. Remove spring latched junction box door and connect fixture wires to building wires: insert each supply wire into appropriate junction box connector. Connect brown/black fixture wire to hot, blue/white fixture wire to neutral and green fixture wire to ground (as Fig.2).
5. Place all wiring and connectors back in wiring box and replace junction box door.
6. When installing in drywall, cut a hole 4 9/16" in the drywall. After installing drywall, if necessary, adjust fixture for ceiling thickness by loosening hex screws that attach the round housing to the plaster frame (as Fig.3).
7. Push the trim assembly up until the trim ring is flush to the ceiling (as Fig.4).



WAC Lighting
www.waclighting.com
Phone (800) 526.2588 • Fax (800) 526.2585

Headquarters/Eastern Distribution Center
44 Harbor Park Drive • Port Washington, NY 11050
Phone (516) 515.5000 • Fax (516) 515.5050

Western Distribution Center
1750 Archibald Ave • Ontario, CA 91761
Phone (800) 526.2588 • Fax (800) 526.2585

REPLACE LED LENS:

1. Remove the screws and take off the can (as Fig.5 and as Fig.6).
2. Replace the lens you choose (as Fig.7 and as Fig.8).
3. Put on the can and secure the screws (as Fig.9 and Fig.10).

