

INSTALLATION INSTRUCTION

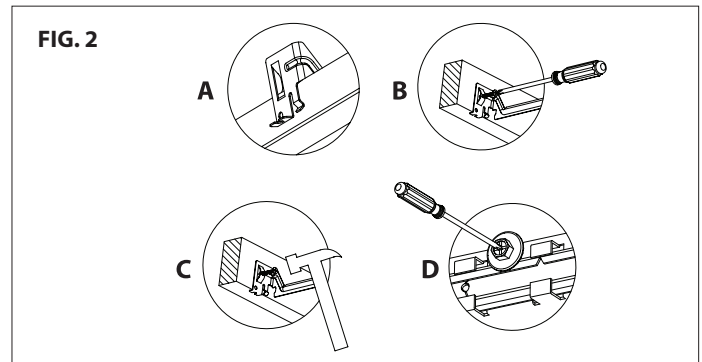
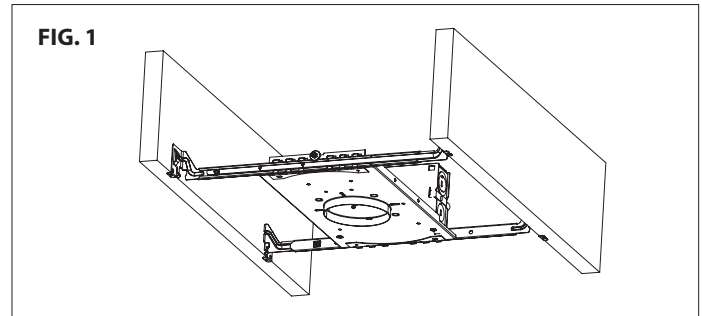
FQ 2" LED - Frame-in Housing

R2FBFT

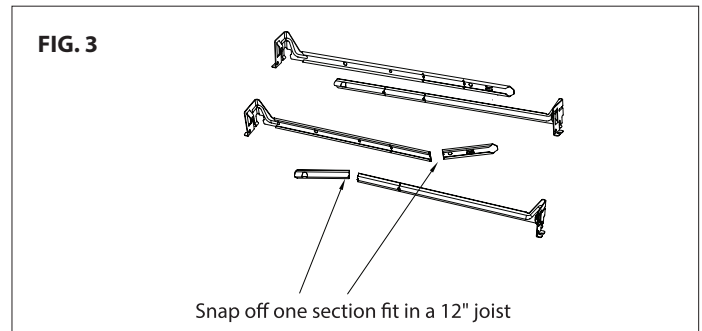


TRIM HOUSING INSTALLATION

1. Install housing using two hanger bars (24" max). Bars are notched on the ends to fit over "T" bars in suspended ceilings (See **FIG. 2A**).
2. Hanger bars include a captive mounting "screw-nail" for ease of installation (See **FIG. 1**). Align the bottom of the hanger bar with the bottom of the wood joist. Secure the "screw-nail" on each end by screwdriver (See **FIG. 2B**), or by hammer (See **FIG. 2C**).
3. Slide fixture housing along bar hangers into desired location. Use locking screws to secure (See **FIG. 2D**).



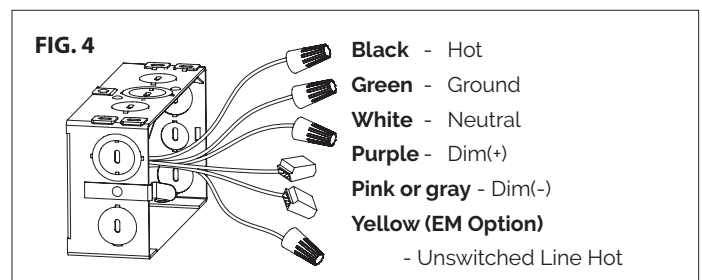
4. To shorten hanger bars to fit in a 12" joist, snap off one section of the hanger bars (See **FIG. 3**).
5. Remove spring latched fixture junction box door and connect fixture wires to building wires: Insert each supply wire into appropriate junction box wire connector. This fixture features electronic low voltage (ELV) or TRIAC or 0-10V dimming capabilities (See **FIG. 4**).



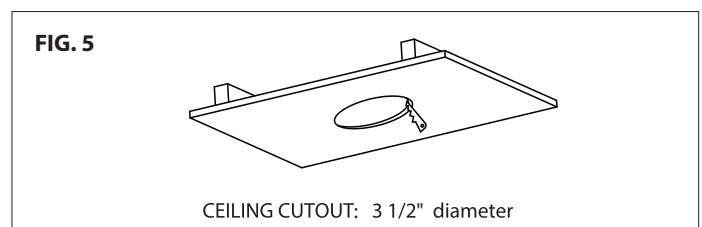
To utilize ELV or TRIAC, wire black (line hot), white (line neutral) and green (ground) in accordance to dimmer specifications.

To utilize 0-10V dimming, wire purple (dim+), pink or gray (dim-), black (line hot), white (line neutral) and green (ground) in accordance to dimmer specifications. When not using a dimmer, connect black fixture wire to hot, white fixture wire to neutral and green fixture wire to ground. Leave all other wires capped individually.

NOTE: For EM housings, refer to the "EM OPTION WIRING DIAGRAM" on the last page for wiring details.



6. Place all wiring and connectors back in junction box and replace the junction box's cover.
7. Cut a 3 1/2" diameter hole in the ceiling at the point of installation and install ceiling (See **FIG. 5**).
8. Refer to installation instructions for appropriate trims to complete the installation.



waclighting.com
Phone (800) 526.2588
Fax (800) 526.2585

Headquarters/Eastern Distribution Center
44 Harbor Park Drive
Port Washington, NY 11050

Central Distribution Center
1600 Distribution Ct
Lithia Springs, GA 30122

Western Distribution Center
1750 Archibald Avenue
Ontario, CA 91761

INSTALLATION INSTRUCTION

FQ 2" LED - Frame-in Housing

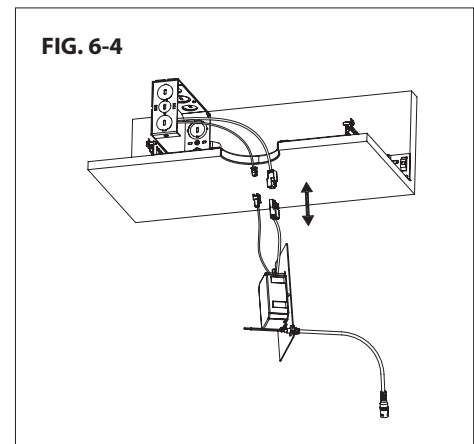
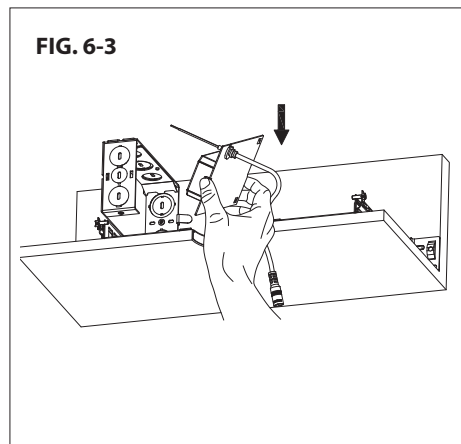
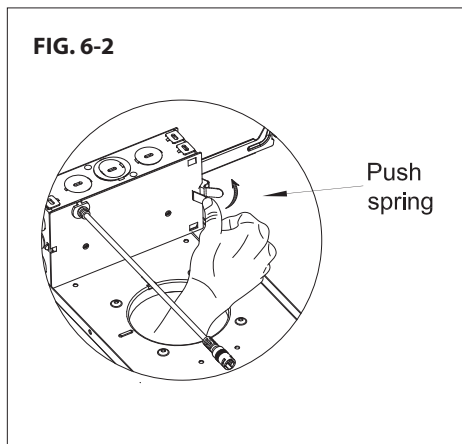
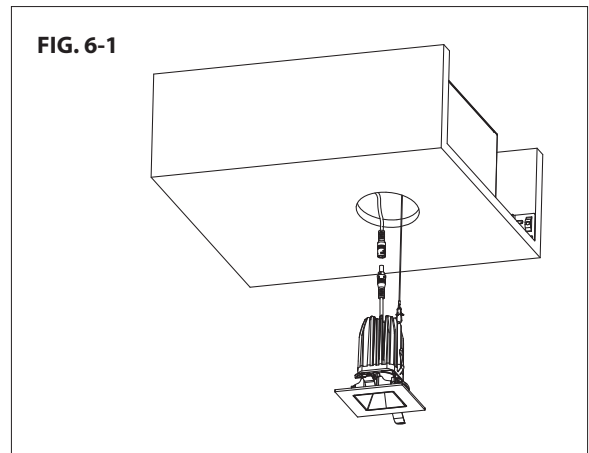
R2FBFT



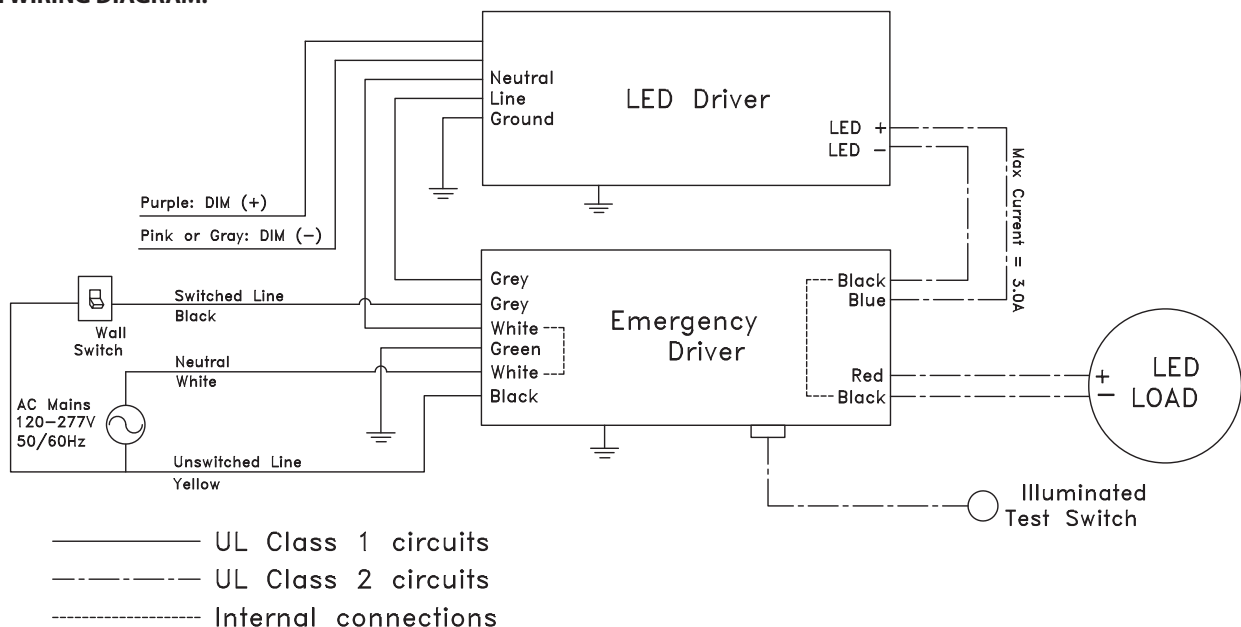
LIGHT ENGINE REPLACEMENT: Refer to relative trim instruction for LED replacement.

DRIVER REPLACEMENT:

1. Shut off power to the fixture. Remove trim assembly from fixture and disconnect the power connector and safety cable from the trim assembly (See FIG. 6-1).
2. Reach to the spring located on the side of the junction box and push to release the driver mounting plate (See FIG. 6-2).
3. Pull the driver along with the mounting plate towards the ceiling opening (See FIG. 6-3).
4. Remove the driver through the ceiling opening. Disconnect the power and control connectors from the driver and the replace the old driver with the new one (See FIG. 6-4). Reverse the steps 1 to 4 to install the new driver to the fixture.



EM OPTION WIRING DIAGRAM:



waclighting.com
 Phone (800) 526.2588
 Fax (800) 526.2585

Headquarters/Eastern Distribution Center
 44 Harbor Park Drive
 Port Washington, NY 11050

Central Distribution Center
 1600 Distribution Ct
 Lithia Springs, GA 30122

Western Distribution Center
 1750 Archibald Avenue
 Ontario, CA 91761