

INSTALLATION INSTRUCTION

Volta 4.5" LED - Wall Wash Square Trim

R4SWT, R4SWL

WAC LIGHTING
Responsible Lighting®

SAFETY INSTRUCTION

IMPORTANT: NEVER attempt any work without shutting off the electricity.

- Read all instructions before installing.
- System is intended for installation by a qualified electrician in accordance with the National Electrical Code and local regulations.
- Go to the main fuse box, or circuit breaker. Place the main power switch in the "OFF" position and unscrew the fuse(s) or switch "OFF" the circuit breaker switch(es) that control the power to the fixture or room that you are working on.
- Place the wall switch in the "OFF" position.

AVERTISSEMENT

IMPORTANT : Coupez l'électricité avant TOUTE manipulation.

- Lisez toutes les instructions avant d'installer.
- Système est destiné à être installé par un électricien qualifié en conformité avec le code national de l'électricité et les règlements locaux.
- Accédez au panneau central de disjoncteurs ou de fusibles de votre demeure et placez l'interrupteur principal en position d'arrêt (« OFF »).
- Placez l'interrupteur mural en position d'arrêt (« OFF »).

CAUTION

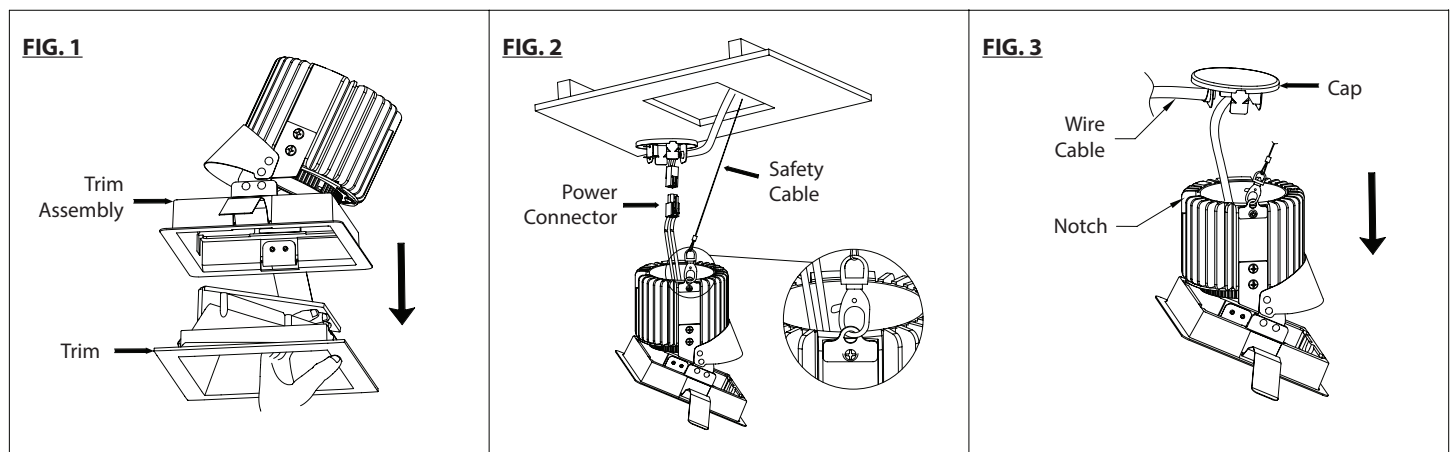
All parts must be used as indicated in these instructions. Do not substitute any parts, leave parts, or use any parts that are worn out or broken. Failure to follow could invalidate the ETL/cETL listing of this fixture.

TRIM MODEL

The trim R4SWT can be used with remodel and new construction round housings. The Trimless R4SWL to be used with new construction round housing. Refer to specification sheets for compatible housing and trim details. Follow appropriate housing instructions to begin installation.

TRIM INSTALLATION (R4SWT)

1. Remove trim from trim assembly (See **FIG.1**).
2. Raise trim assembly to ceiling cutout and connect power connector and safety cable (See **FIG.2**).
3. Install connector cap onto top of trim assembly, careful not to pinch power wiring. Make sure the cap wire cable aligns with the notch on the top of heat sink (See **FIG.3**).



waclighting.com
Phone (800) 526.2588
Fax (800) 526.2585

Headquarters/Eastern Distribution Center
44 Harbor Park Drive
Port Washington, NY 11050

Central Distribution Center
1600 Distribution Ct
Lithia Springs, GA 30122

Western Distribution Center
1750 Archibald Avenue
Ontario, CA 91760

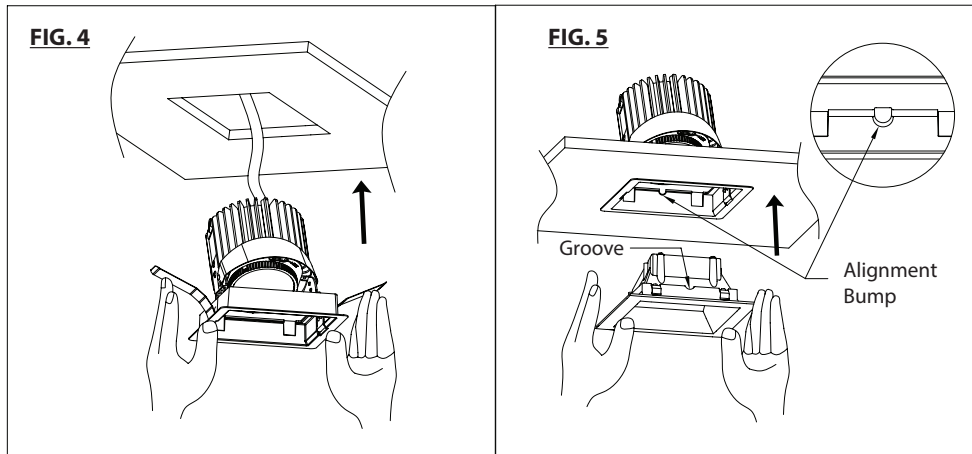
INSTALLATION INSTRUCTION

Volta 4.5" LED - Wall Wash Square Trim

R4SWT, R4SWL

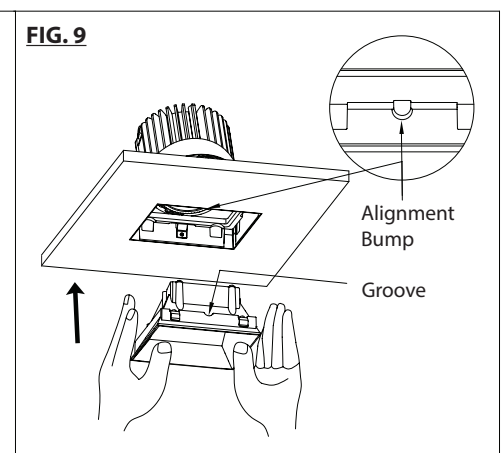
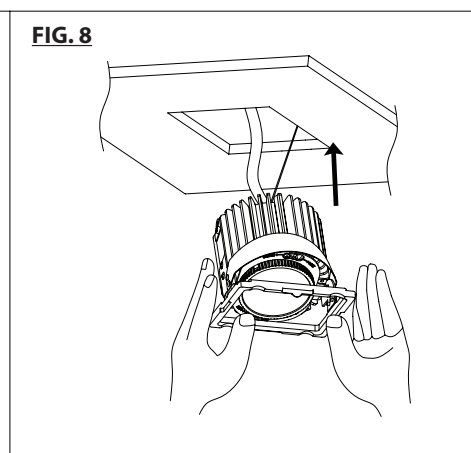
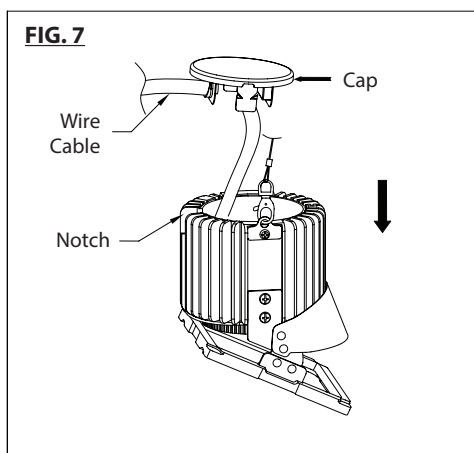
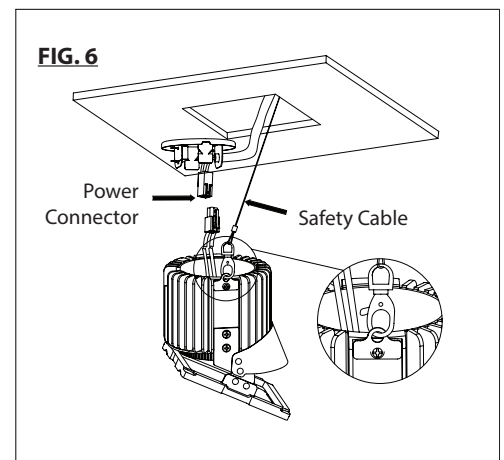
WAC LIGHTING
Responsible Lighting®

4. Fold trim assembly mounting springs inward and insert trim assembly into ceiling cutout with the angle of heat sink opposite wall to be illuminated. Be sure once installed, trim assembly is flush and secure (See FIG.4).
5. Raise trim up to the trim assembly until the trim is flush with ceiling surface. Be sure the groove on trim aligning with the alignment bump on trim assembly (See FIG.5).



Trimless INSTALLATION (R4RWL)

1. Raise trim assembly to ceiling cutout and connect power connector and safety cable (See FIG.6).
2. Install connector cap onto top of trim assembly, careful not to pinch power wiring. Make sure the cap wire cable aligns with the notch on the top of heat sink (See FIG.7).
3. After power and safety chain connections, insert trim assembly into spackle frame with the angle of heat sink opposite wall to be illuminated (See FIG.8).
4. Raise trim up to the trim assembly until the trim is flush with ceiling surface. Be sure the groove on trim aligning with the alignment bump on trim assembly (See FIG.9).



waclighting.com
Phone (800) 526.2588
Fax (800) 526.2585

Headquarters/Eastern Distribution Center
44 Harbor Park Drive
Port Washington, NY 11050

Central Distribution Center
1600 Distribution Ct
Lithia Springs, GA 30122

Western Distribution Center
1750 Archibald Avenue
Ontario, CA 91760

INSTALLATION INSTRUCTION

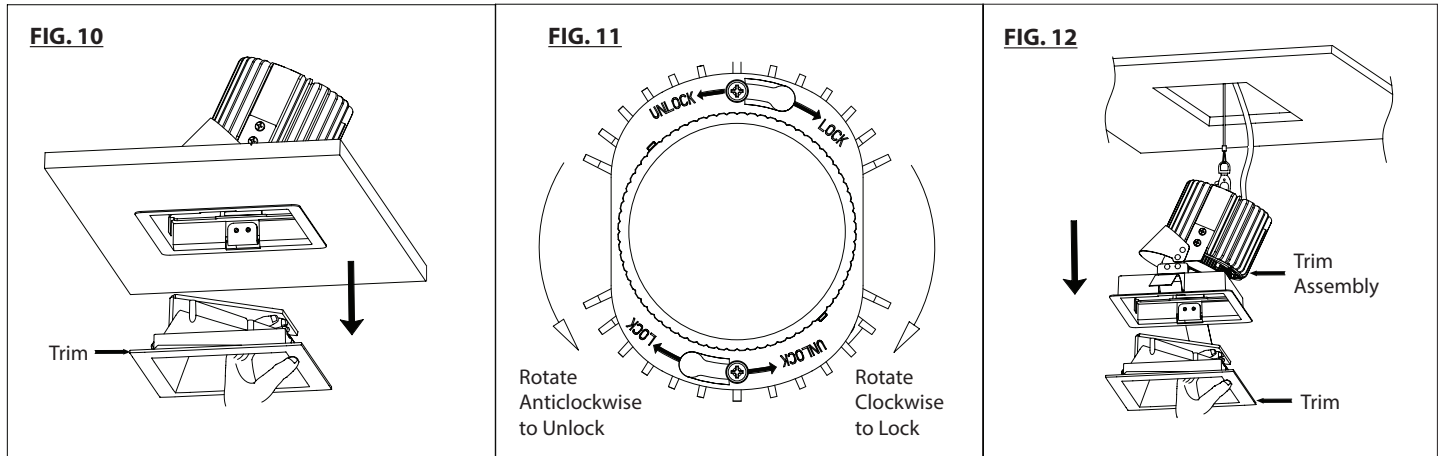
Volta 4.5" LED - Wall Wash Square Trim

WAC LIGHTING
Responsible Lighting®

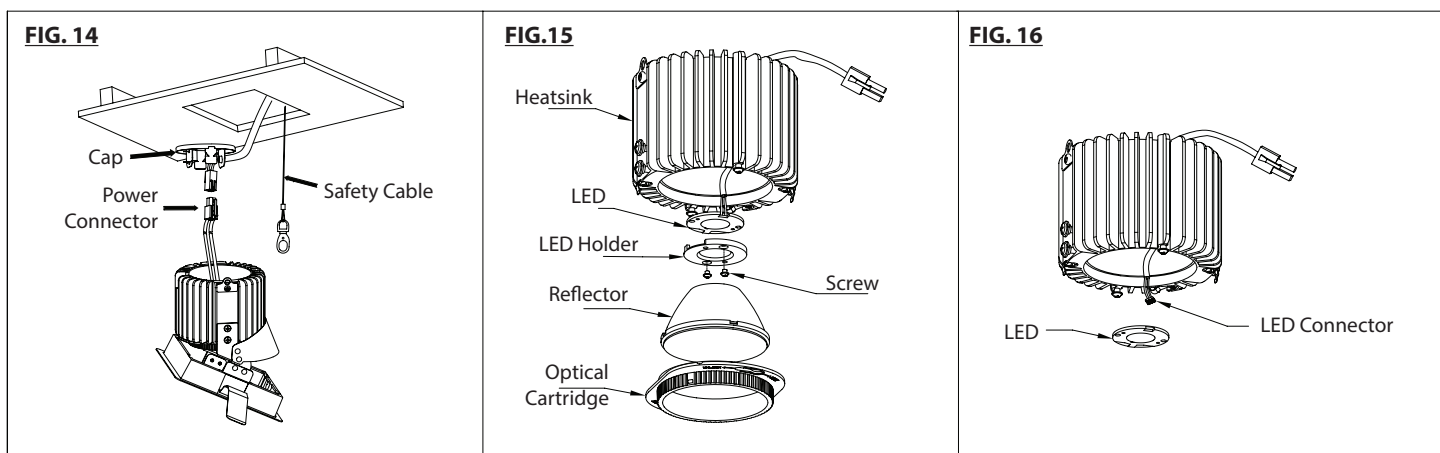
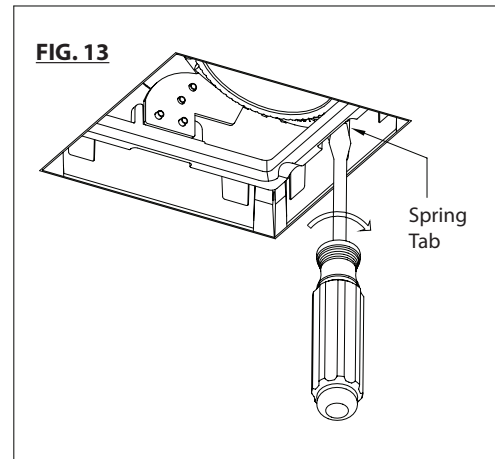
R4SWT, R4SWL

REFLECTOR AND LED REPLACEMENT

1. Power off fixture and let fixture cool down.
2. Exchange reflector
 - a. Remove the trim from the trim assembly (See FIG.10).
 - b. Inset hand into fixture opening to grip optical cartridge, rotate to unlock and take out (See FIG.11).
 - c. Insert the replacement reflector into optical cartridge, put the whole assembly back inside fixture and lock it to the heat sink.
 - d. Reinstall the trim inside fixture to complete (See FIG. 5).



3. Replace the LED module
 - a. Remove trim from the trim assembly first, then the trim assembly from the ceiling or fixture aperture (See FIG.12).
 - b. To remove the Trimless assembly, use the flat head screw driver to release the spring tab on aperture ring (See FIG.13).
 - c. Remove cap and disconnect power connector and safety cable (See FIG.14).
 - d. Unlock and remove the optical cartridge and reflector (See FIG.11).
 - e. Unscrew the LED holder and remove the LED connector from the LED module (See FIG.15, 16).
 - f. Remove and discard the LED module from the heat sink.
 - g. Coat the heat paste (by others or call the factory) on the back of the new LED module and place it on the heat sink by aligning two holes on LED with two screw holes on the heat sink.
 - h. Connect the LED module with connector and fasten the LED holder on top of the LED model by tightening two screws
 - i. Reinstall the reflector and optical cartridge (See FIG.11).
 - j. Connect power connector and safety cable, then reinstall the trim assembly and trim inside fixture to complete.



waclighting.com
Phone (800) 526.2588
Fax (800) 526.2585

Headquarters/Eastern Distribution Center
44 Harbor Park Drive
Port Washington, NY 11050

Central Distribution Center
1600 Distribution Ct
Lithia Springs, GA 30122

Western Distribution Center
1750 Archibald Avenue
Ontario, CA 91760