

INSTALLATION INSTRUCTION

VENTRIX - Diagnostic Tool Transmitter & Receiver

S2DT-1-BK

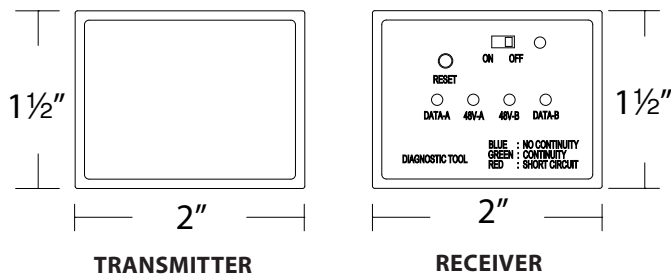
VENTRIX
BY WAC

CAUTION: TO PREVENT ELECTRICAL SHOCK, ENSURE ELECTRICITY HAS BEEN TURNED OFF AT THE CIRCUIT BREAKER BEFORE BEGINNING.

- Read all instructions before installing. Retain these instructions for future maintenance reference.
- System is intended for installation by a licensed electrician in accordance with the National Electrical Code (NEC) and local regulations.
- VENTRIX fixtures and channels feature separate data and power conductor systems. During installation and use, do not short the data or power conductors together by any means or damage may occur.
- **All power and data connections from the CPU to the VENTRIX channel are to be physically removed, before using the diagnostic tool.**

WARNING: All parts must be used as indicated in these instructions. This product is designed for use only with the supplied parts and/or accessories designated for use by WAC Lighting. Substitution of parts or accessories not designated for use with this product by WAC Lighting could result in personal injury or property damage, and will void the warranty. Contact an authorized dealer or the manufacturer if any parts are damaged or missing.

OVERALL TOOL DIMENSIONS



TOOL OVERVIEW

S2DT-1-BK Diagnostic Tool is intended for use on WAC Lighting's VENTRIX Channel systems.

SPECIFICATIONS

Power:	Battery - 2x CR2032 (3V, 240mAh), Pre-installed
Installation:	VENTRIX Channel (Recessed / Suspended)
Function:	Continuity detector with LED indicator lights and on-board RESET.

TOOL INSTALLATION TO VENTRIX SYSTEM:

This tool is intended to confirm electrical connection integrity across VENTRIX channels and connectors. It provides electrical continuity status across each bus bar of the VENTRIX channel.

1. The transmitter and receiver may be installed into horizontally or vertically mounted VENTRIX channel systems.
2. The transmitter and receiver are polarity agnostic, and may be installed in VENTRIX channel in either orientation.
3. Insert the transmitter into the desired location of the channel slot. Ensure the transmitter is parallel to the channel during installation. Push the transmitter into the channel until fully secured. **NOTE:** The tool adapters feature magnets to aid in locating.
4. Repeat **STEP 3** for the receiver and install it to the desired test location. This location may be along a channel, across two or more channels, and may span across electrically enabled connectors.
5. With both parts of the tool installed to the channel, set the switch of the receiver to "ON". The indicator lights on-board the receiver will illuminate, indicating the continuity status of each VENTRIX bus bar. Refer to the table below for indicator light details:

Indicator Light Color	Green	Red	Blue
Bus Bar Continuity Status	Continuity	Short Circuit	No Continuity

Example 1: If "DATA-A" and "48V-A" conductors are shorted, the indicator light color for both bus bars on the receiver will be RED.

Example 2: If "DATA-B" is electrically disconnected between the transmitter and receiver locations along the channel, its indicator light color on-board the receiver will be BLUE.

NOTE: The diagnostic tool will operate for 5 minutes, while switch is set to "ON". After this time, the tool will shut down to conserve power. To re-enable it, push the "RESET" button on-board the receiver.

NOTE: Remove diagnostic tool from VENTRIX channel prior to powering on VENTRIX system. Failure to do so can result in damage. Store Diagnostic tool when not in use with switch in "OFF" position.

In certain VENTRIX linear patterns it is desirable to have "No continuity" across certain connection locations to avoid shorts, etc. Reference VENTRIX channel instructions or job layout for specifics.

wacighting.com

Phone (800) 526.2588

Fax (800) 526.2585

Headquarters, East Manufacturing Facility

44 Harbor Park Drive

Port Washington, NY 11050

South East Manufacturing Facility

1600 Distribution Ct

Lithia Springs, GA 30122

Central Manufacturing Facility

1700 South J Elmer Freeway, Ste 100

Cedar Hill, TX 75104

West Manufacturing Facility

1750 S Archibald Ave

Ontario, CA 91761

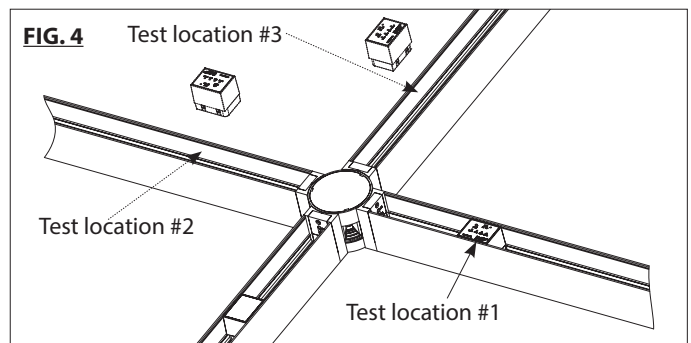
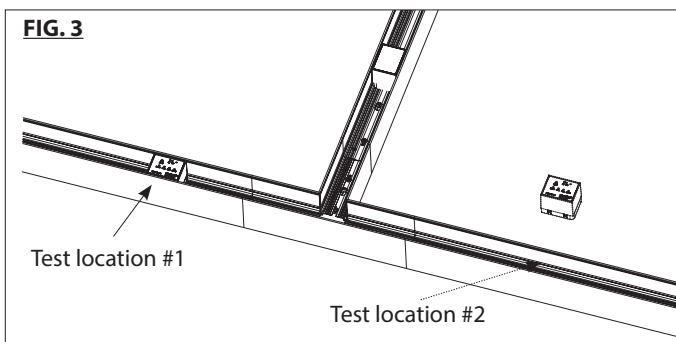
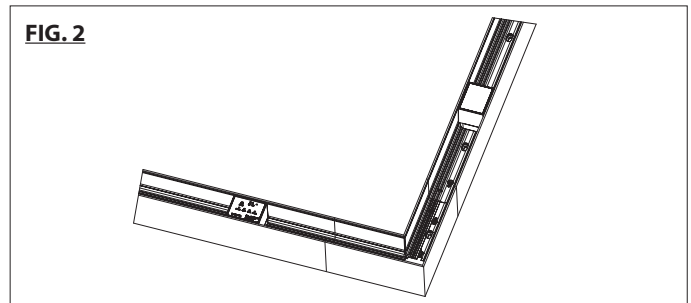
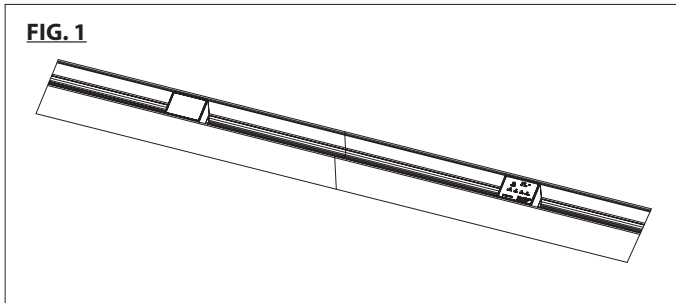
INSTALLATION INSTRUCTION

VENTRIX - Diagnostic Tool Transmitter & Receiver

S2DT-1-BK

VENTRIX
BY WAC

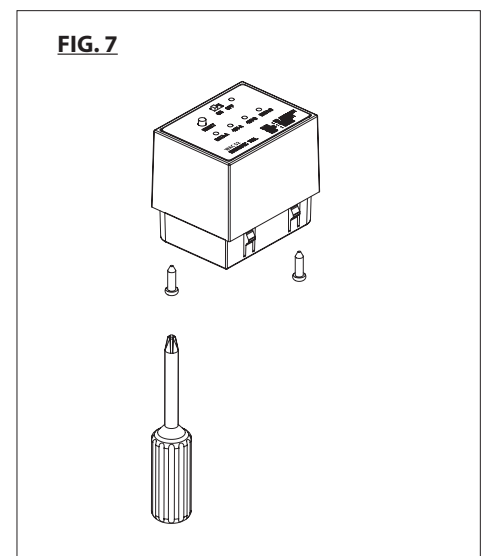
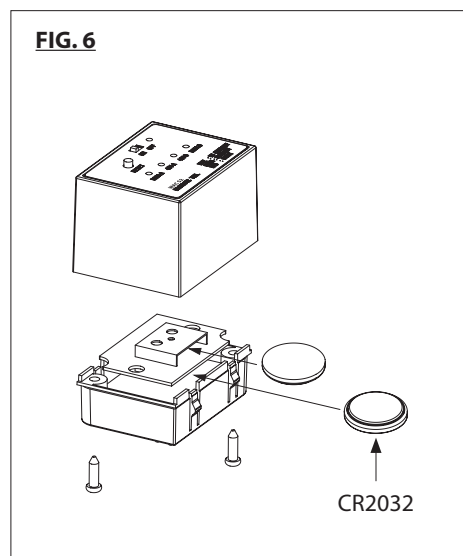
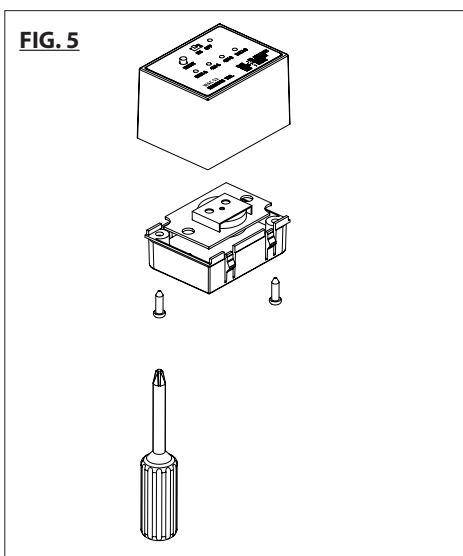
6. The diagnostic tool may be installed to test continuity across channel segments, joined by VENTRIX I connectors. (See **FIG. 1**).
7. The diagnostic tool may be installed to test continuity across channel segments, joined by VENTRIX L, T, & X connectors that are electrically enabled. (See **FIG. 2 & 3**)
8. The diagnostic tool may be installed to test continuity across channel segments, joined by VENTRIX TRIG connectors that are electrically enabled. (See **FIG. 4**)



BATTERY REPLACEMENT INSTRUCTIONS (RECEIVER ONLY):

The on-board batteries within the VENTRIX diagnostic tool's receiver may be replaced following the steps below:

1. Loosen both screws on the back of the receiver using a Philips screwdriver, and remove the cover assembly (See **FIG. 5**).
2. On the circuit board of the cover assembly, remove the two batteries, by pushing them out of the battery holder (See **FIG. 6**). Insert replacement batteries aligning battery polarity correctly.
3. Re-attach the cover assembly using the screws previously removed in STEP 1 (See **FIG. 7**).



wacighting.com

Phone (800) 526.2588

Fax (800) 526.2585

Headquarters, East Manufacturing Facility

44 Harbor Park Drive

Port Washington, NY 11050

South East Manufacturing Facility

1600 Distribution Ct

Lithia Springs, GA 30122

Central Manufacturing Facility

1700 South J Elmer Freeway, Ste 100

Cedar Hill, TX 75104

West Manufacturing Facility

1750 S Archibald Ave

Ontario, CA 91761