

INSTALLATION INSTRUCTION

H / L / J / J2 Track Cable Suspension & Feed Canopy

SKC96, SKCF96, J2-SKCF96



SAFETY INSTRUCTION

IMPORTANT: NEVER attempt any work without shutting off the electricity.

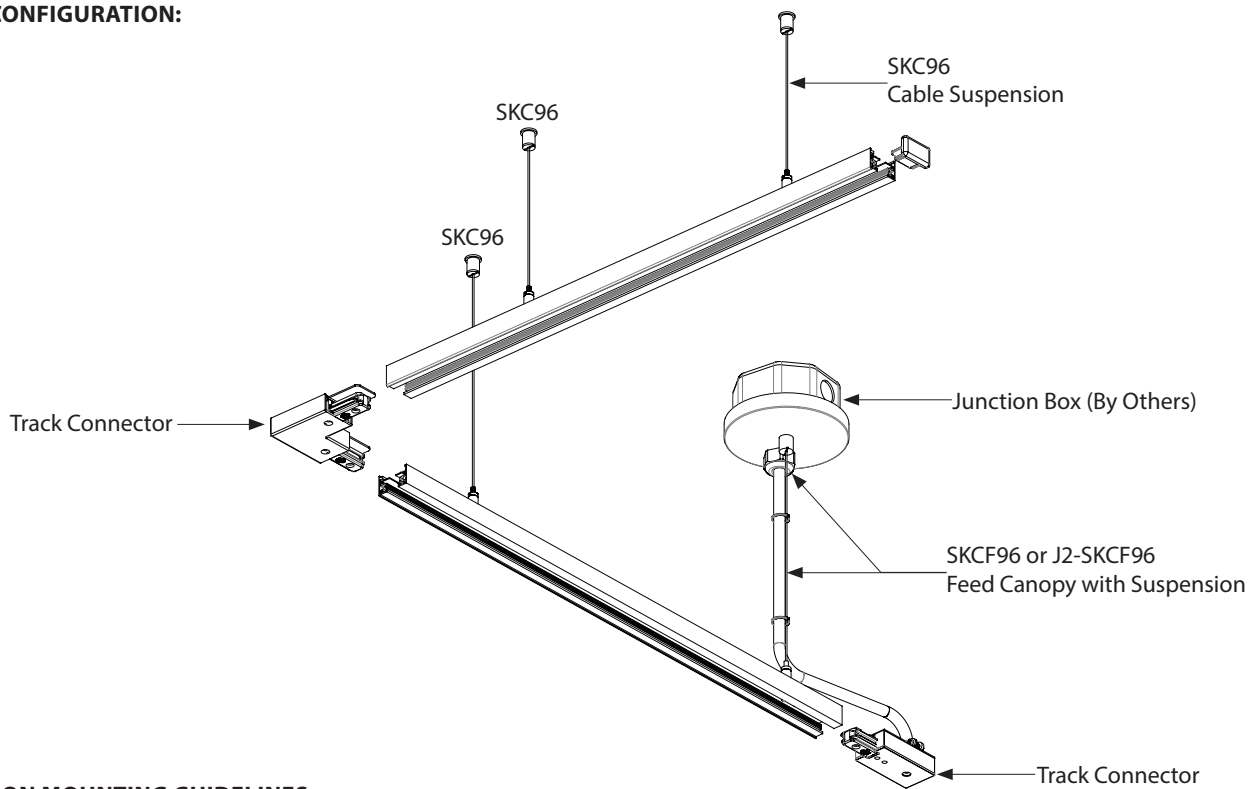
- Read all of these instructions before installing the track system.
- Turn off power at main switch before installing or modifying the system.
- Do not install within 6 inches of any curtain or combustible materials.
- Do not install less than 5 feet above a floor.
- Do not install in damp or wet locations.
- Do not install concealed, or extended through building walls.
- Do not attempt to energize anything other than a track light fixture.
- Do not load to more than 20 amps per circuit.
- Do not exceed 4 feet between mounting points.
- These components are suitable for WAC's H/L/J/J2 track systems only.
- Do not connect a track to more than one branch circuit.
- Check with a qualified electrician before wiring.
- All of the installations shall be in accordance with NEC and all local codes.

INSTRUCTION DE SÉCURITÉ

IMPORTANT : NE JAMAIS tenter de travailler sans couper l'électricité.

- Lisez toutes ces instructions avant d'installer le système de rail.
- Coupez l'alimentation au niveau de l'interrupteur principal avant d'installer ou de modifier le système.
- Ne pas installer à moins de 6 pouces de tout rideau ou de matériaux combustibles.
- Ne pas installer à moins de 5 pieds au-dessus d'un plancher.
- Ne pas installer dans des endroits humides ou mouillés.
- Ne pas installer de manière dissimulée ou étendue à travers les murs du bâtiment.
- N'essayez pas d'alimenter autre chose qu'un luminaire sur rail.
- Ne chargez pas à plus de 20 ampères par circuit.
- Ne dépassez pas 4 pieds entre les points de montage.
- Ces composants conviennent uniquement aux systèmes de rails H/L/J/J2 de WAC.
- Ne connectez pas une piste à plus d'un circuit de dérivation.
- Vérifiez auprès d'un électricien qualifié avant le câblage.
- Toutes les installations doivent être conformes au NEC et à tous les codes locaux.

SAMPLE CONFIGURATION:



SUSPENSION MOUNTING GUIDELINES:

For track cable suspensions systems, do not exceed 4 feet between each mounting point, and do not exceed 6 inches (for track 4 feet or less in length) or 12 inches (for track that is greater than 4 feet) from each end of the single track section. Always use two or more mounting supports for each track length.

- Track cable suspensions shall be capable of being mounted to flat ceiling structures.
- Track cable suspensions may be height adjusted in field.
- Track cable suspensions shall be available in 96 inch standard lengths.
- Space the suspension supports evenly along the track. **Recommended: (2) per 4 feet of track, (3) per 8 feet of track, and (4) per 12 feet of track, additional suspension supports may be added for heavier loads.**

It is the user's responsibility to ensure the electrical and mechanical compatibility of the track system and the fittings.

wacighting.com

Phone (800) 526.2588

Fax (800) 526.2585

Headquarters, East Manufacturing Facility

44 Harbor Park Drive

Port Washington, NY 11050

South East Manufacturing Facility

1600 Distribution Ct

Lithia Springs, GA 30122

Central Manufacturing Facility

1700 South J Elmer Freeway, Ste 100

Cedar Hill, TX 75104

West Manufacturing Facility

1750 S Archibald Ave

Ontario, CA 91761

INSTALLATION INSTRUCTION

H / L / J / J2 Track Cable Suspension & Feed Canopy

SKC96, SKCF96, J2-SKCF96



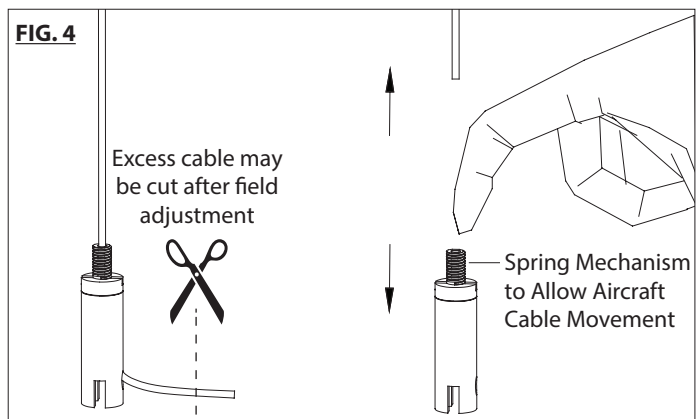
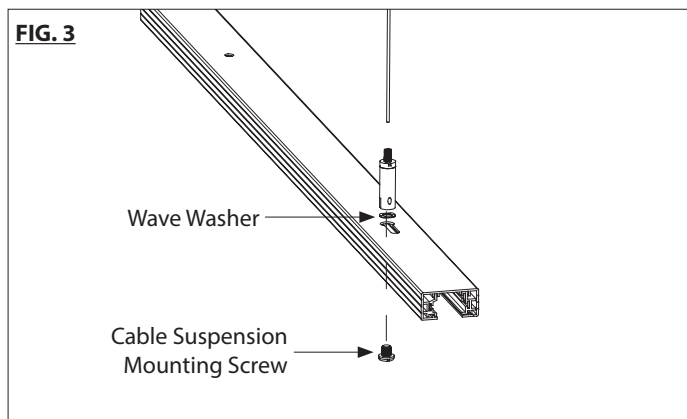
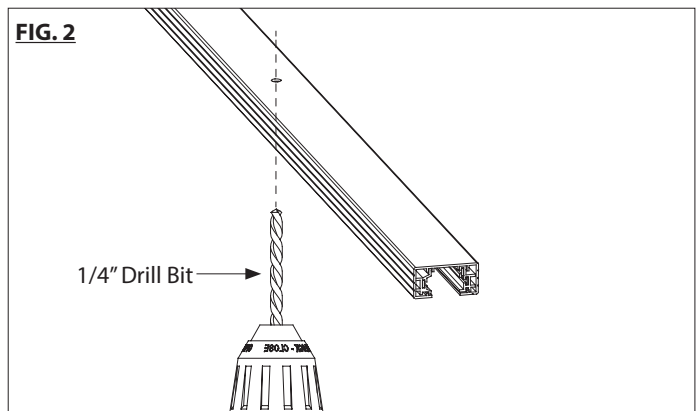
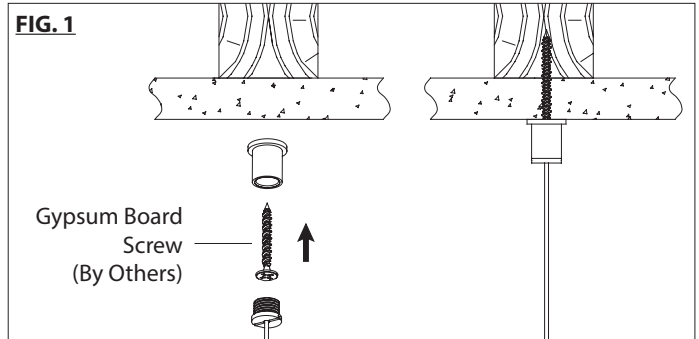
INSTALLING CABLE SUSPENSION MOUNT (SKC96):

The SKC96 cable suspension mount is to be direct mounted to the upper ceiling support structure of the space.

1. Remove the top half of the cable suspension mount anchor and install to the ceiling using appropriate hardware (by others). Attach the lower half of the anchor by threading it to the mounted half. (See **FIG. 1**).

NOTE: The SKC96 is intended to be installed to flat ceilings.

2. Determine the appropriate mounting locations on track. Use existing mounting holes on track and add supplemental mounting holes, as necessary, by drilling 1/4" holes through the center of the track (See **FIG. 2**).
3. Lift the track and push the screw through the mounting hole of the track to fasten it to the cable gripper and wave washer of the cable suspension base, using a Philips or flat blade screwdriver (See **FIG. 3**).
4. Use the spring mechanism at the top of the cable gripper to adjust suspension height, and field cut to discard excess suspension cabling once the position is confirmed (See **FIG. 4**).

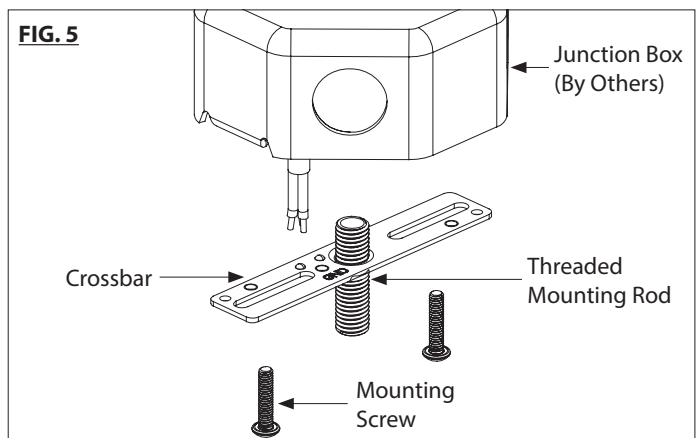


INSTALLING CABLE SUSPENSION MOUNT WITH FEED CANOPY (SKCF96/J2-SKCF96):

The SKCF96 / J2-SKCF96 cable suspension mount with feed canopy is to be directly installed to ceiling mounted 4" octagonal junction boxes. Power may be fed down to track live end or appropriate track connector with power feed input.

Junction Box Mounting

1. Ensure power is OFF before installation and wiring.
2. Locate the ceiling mounted junction box and pull appropriate wiring through. Mount the crossbar of the feed canopy to junction box using the supplied #8 mounting screws (See **FIG. 5**).



wacighting.com

Phone (800) 526.2588

Fax (800) 526.2585

Headquarters, East Manufacturing Facility

44 Harbor Park Drive

Port Washington, NY 11050

South East Manufacturing Facility

1600 Distribution Ct

Lithia Springs, GA 30122

Central Manufacturing Facility

1700 South J Elmer Freeway, Ste 100

Cedar Hill, TX 75104

West Manufacturing Facility

1750 S Archibald Ave

Ontario, CA 91761

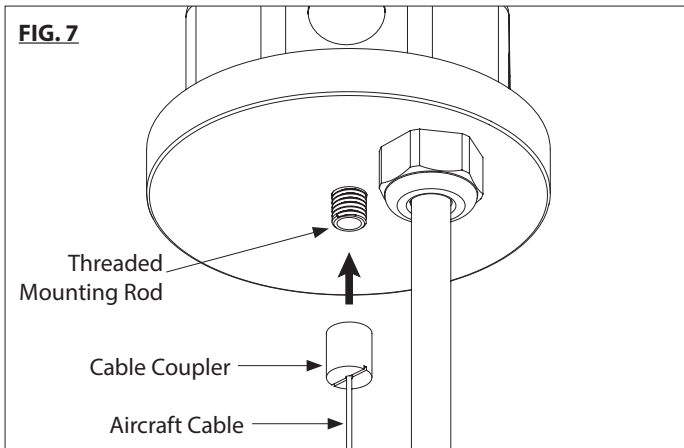
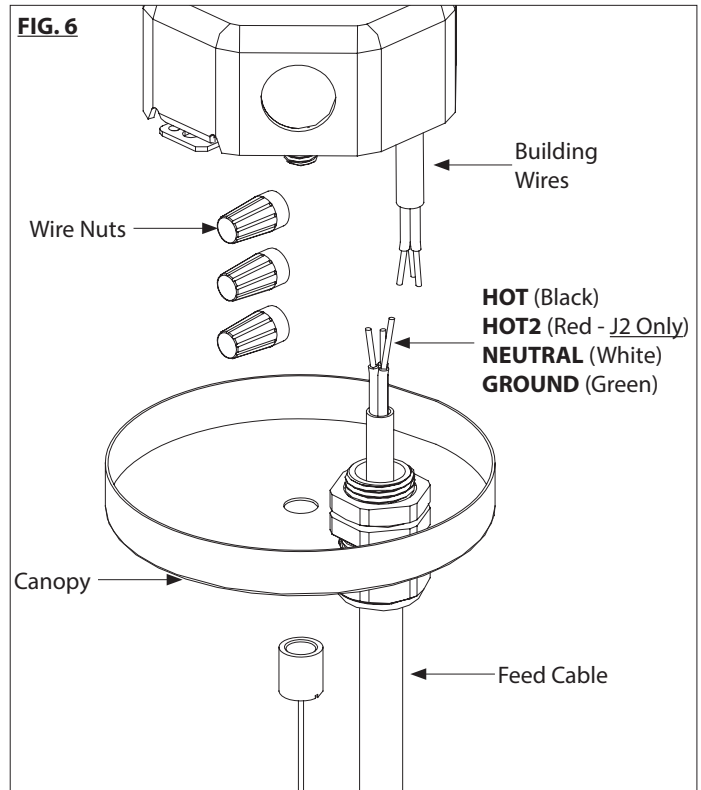
INSTALLATION INSTRUCTION

H / L / J / J2 Track Cable Suspension & Feed Canopy

SKC96, SKCF96, J2-SKCF96

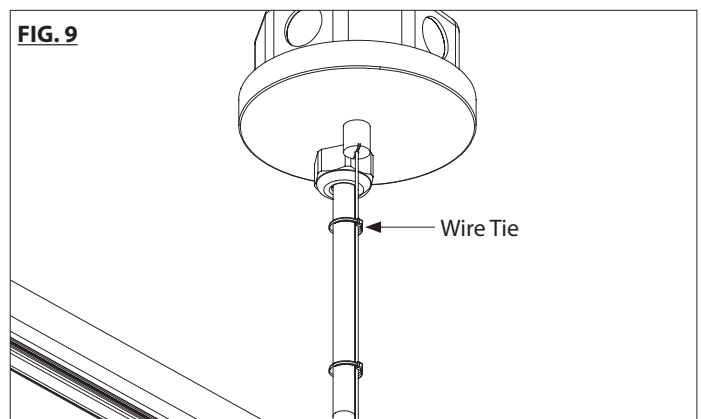
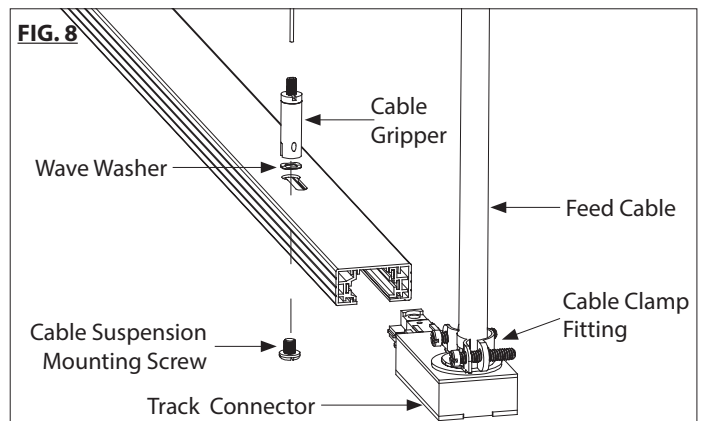


3. Bring the feed canopy to the junction box, and make electrical connections between building and canopy feed wires using supplied wire nuts. Secure connections and store wiring inside the junction box and canopy space (See **FIG. 6**).
4. Ensure the canopy threaded mounting rod of the canopy, is supported by the crossbar. Lift the canopy to the junction box and thread the canopy cable coupler to the threaded mounting rod until secure (See **FIG 7**).



Feed Wiring to Live End or Feed Connector

1. Remove the cover and knockout on the top side of the live end or appropriate track connector with feed input.
2. Attach the canopy feed cable to the track connector using the cable clamp fitting. Make electrical connections between the canopy and track feed connector in accordance with Local and National Electrical Codes. Secure connections and store wiring inside the track feed connector. Reattach the cover of the track feed connector (See **FIG. 8**).
3. Determine the appropriate mounting locations on track. Use existing mounting holes on track and add supplemental mounting holes, as necessary, by drilling 1/4" holes through the center of the track (See **FIG. 2 - PAGE 2**).
4. Lift the track and push the screw through the mounting hole of the track to fasten it to the cable gripper and wave washer of the cable suspension base, using a Philips or flat blade screwdriver (See **FIG. 8**).
5. Connect the track section and connector. Secure the feed cable and cable suspension, as needed, using wire ties (See **FIG. 9**).



wacighting.com
Phone (800) 526.2588
Fax (800) 526.2585

Headquarters, East Manufacturing Facility
44 Harbor Park Drive
Port Washington, NY 11050

South East Manufacturing Facility
1600 Distribution Ct
Lithia Springs, GA 30122

Central Manufacturing Facility
1700 South J Elmer Freeway, Ste 100
Cedar Hill, TX 75104

West Manufacturing Facility
1750 S Archibald Ave
Ontario, CA 91761