

INSTALLATION INSTRUCTION

InvisiLED Outdoor RGBWW

T24-OD1-XX-CC



SAFETY INSTRUCTION

IMPORTANT: NEVER attempt any work without shutting off the electricity.

- Always turn off power at fuse box prior to installation to prevent electrical shock.
- Intended for outdoor use, damp and wet locations are permitted. IP66 rated
- Install in accordance with national electric code, and local regulations.
- Consult with local inspector to assure compliance.
- Do not submerge, or install an outdoor tape in a swimming pool.
- Do not connect the tape directly to high voltage power
- Determine the installation area and material, based on different mounting materials (wood or concrete), different mounting accessories will be needed.

CAUTION – TO REDUCE RISK OF FIRE AND ELECTRICAL SHOCK

- Read all instructions before installing.
- Handle product with care.
- Do not conceal or extend exposed conductors through a building wall
- To reduce the risk of fire and burns, do not install this lighting system where the exposed bare conductors can be shorted or contact any conductive materials
- To reduce the risk of overheating and potential fire risk, make sure all connections are tight.
- Do not modify or disassemble product beyond instructions or warranty will be void.
- Failure to follow safety warnings, and installation instruction will void the warranty

ATTENTION - AFIN DE RÉDUIRE LES RISQUES D'INCENDIE ET DE CHOC ÉLECTRIQUE

- Lire toutes les instructions avant d'installer.
- Manipuler le produit avec soin.
- Ne pas dissimuler et faire passer les conducteurs exposés à travers un mur de bâtiment.
- Afin de réduire les risques d'incendie et de brûlures, ne pas installer ce système d'éclairage là où les conducteurs dénudés peuvent être court-circuités, ou entrer en contact avec des matériaux conducteurs.
- Afin de réduire le risque de surchauffe et d'incendie potentiel, s'assurer que toutes les connexions sont bien serrées.
- Ne pas modifier ou démonter le produit au-delà des instructions sous peine d'annuler la garantie.
- Ne pas respecter les avertissements de sécurité et des instructions d'installation annulera la garantie.

WIRING AND INSTALLATION:

1. Determine the control method and the number of separately powered runs needed. Calculate the number of power supplies and controller.

Tape Input Voltage	24VDC
Power Consumption	~ 3.57 W/ft with Mobile App/WallStation control ~ 5.5 W/ft with DMX control

2. Determine maximum run length based on controller type and total length of lead wire between controller and tape.

DMX Control	Max Run Length	
	Control Through	
	T24-OD-CTR Outdoor Wireless DMX Controller	915-CTR-WT Colorscaping
Total Length of Lead Wire Between Controller to Tape		
3 FT	15ft	15ft
6 FT	14ft	15ft
9 FT	12ft	15ft
12 FT	10ft	14ft
18 FT	8ft	10ft
24 FT	6ft	8ft
30 FT	5ft	6ft
40 FT	4ft	5ft

Note: Calculation based on 6 ft. lead wire between Power Supply and controller

Mobile App/WallStation Control	Max Run Length	
	Control Through	
	T24-OD-CTR Outdoor Wireless DMX Controller	915-CTR-WT Colorscaping
Total Length of Lead Wire Between Controller to Tape		
3 FT	25ft	25ft
6 FT	22ft	25ft
9 FT	18ft	25ft
12 FT	15ft	22ft
18 FT	12ft	15ft
24 FT	10ft	12ft
30 FT	8ft	10ft
40 FT	6ft	7ft

Note: Calculation based on 6 ft. lead wire between Power Supply and controller

3. Measure the length of each run and round it off to the nearest 1-foot interval. Determine the necessary quantities of 1ft, 5ft, 10ft, 25ft, and 25ft sections.
4. Count the number turns in the runs to determine the number of X, and Y connectors.
5. If making lateral turns at angles other than 90°, determine the number of joiner cables necessary to make the lateral adjustment.

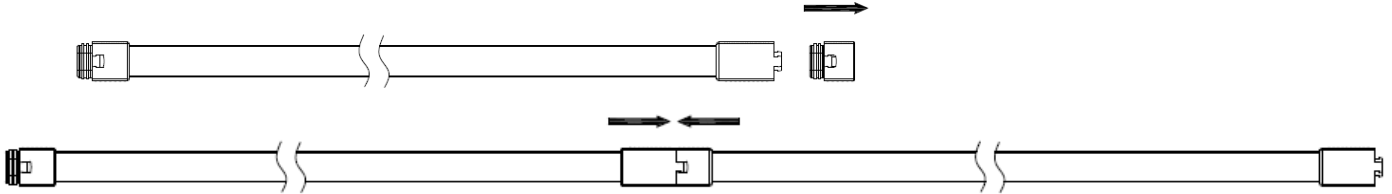
Waclighting.com
Phone (800) 526.2588
Fax (800) 526.2585

Headquarters/Eastern Distribution Center
44 Harbor Park Drive
Port Washington, NY 11050

Central Distribution Center
1600 Distribution Ct
Lithia Springs, GA 30122

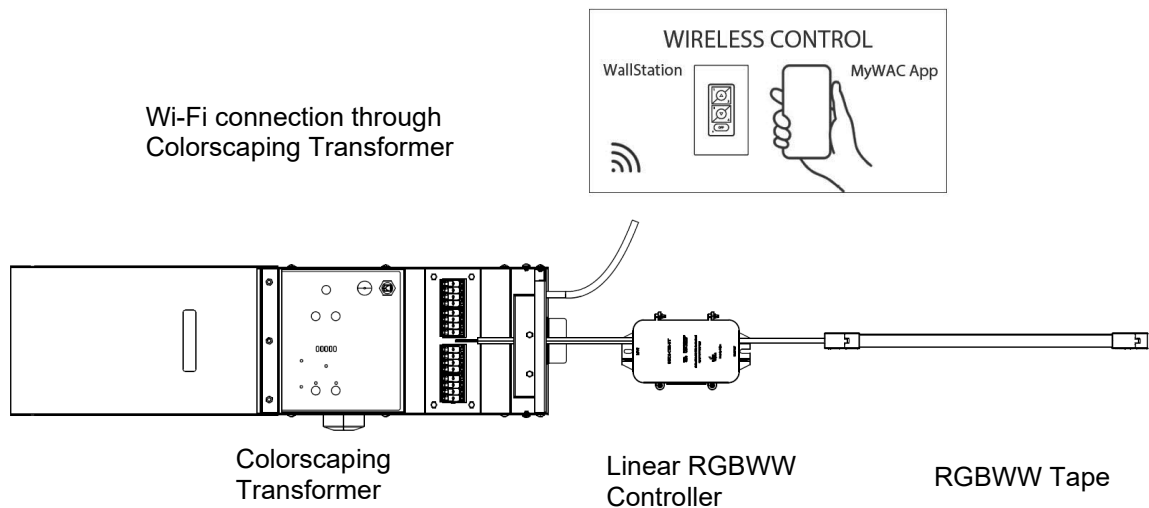
Western Distribution Center
1750 Archibald Ave
Ontario, CA 91761

6. Connect to power supply to incoming 120VAC supply. Power supply is IP67 rated for damp and wet locations. The power supply should be installed accessible for service.
7. Connect the output female connector of the power supply with the male connector of the InvisiLED Outdoor tape or lead wires, to form straight lines or turns around the installation surface.
 Insert the male and female connectors together in a straight alignment to prevent bending of conductor pins and potential loss of connectivity.
8. The sealed end caps of each InvisiLED Outdoor can be removed to open a connection, allowing you to connect it to another outdoor tape.

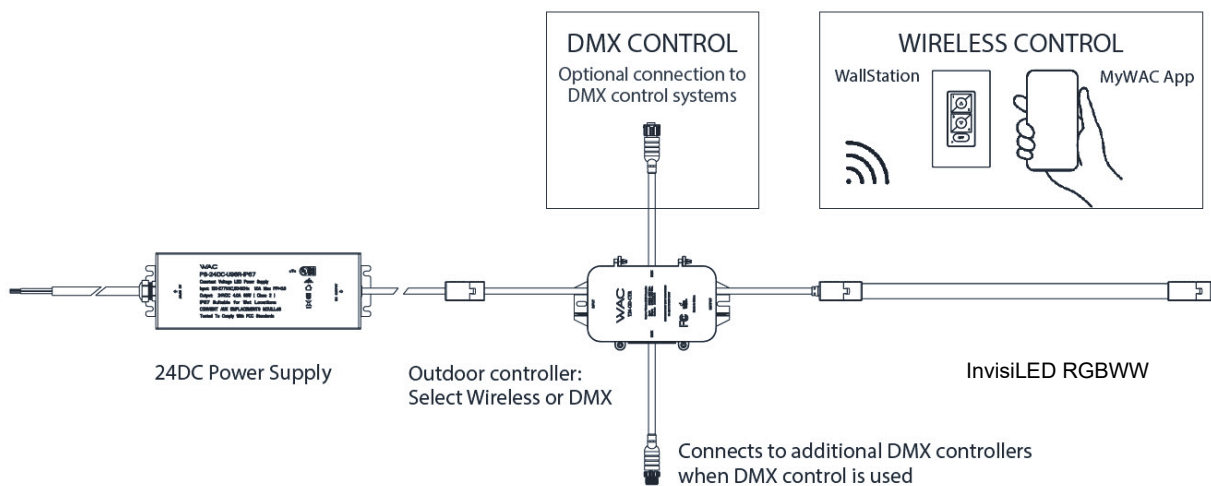


9. InvisiLED Outdoor LED sections may be cut at every 2-inch interval.
10. Terminate each separately powered run with an end cap. Install the end cap with silicon for water tight.

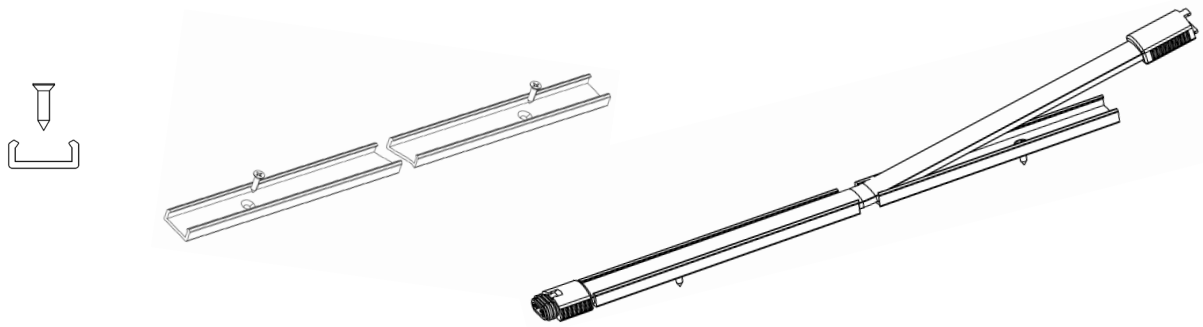
COLORSCAPING: EXAMPLE INSTALLATION



OUTDOOR WIRELESS DMX CONTROLLER: EXAMPLE INSTALLATION

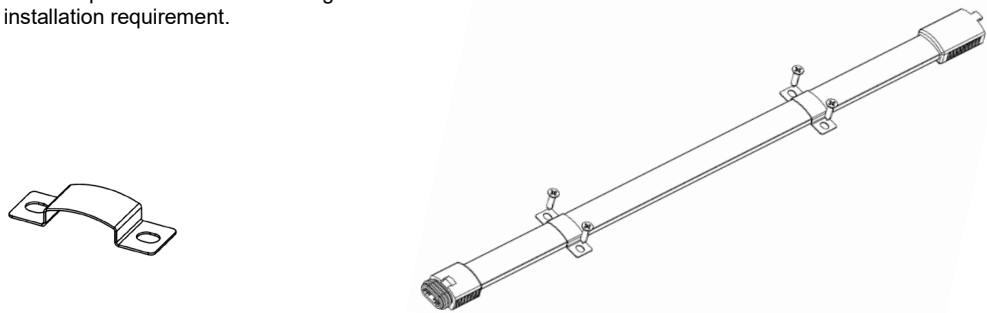


A. **USING INSTALLATION CHANNEL** – flat surface, example: wood



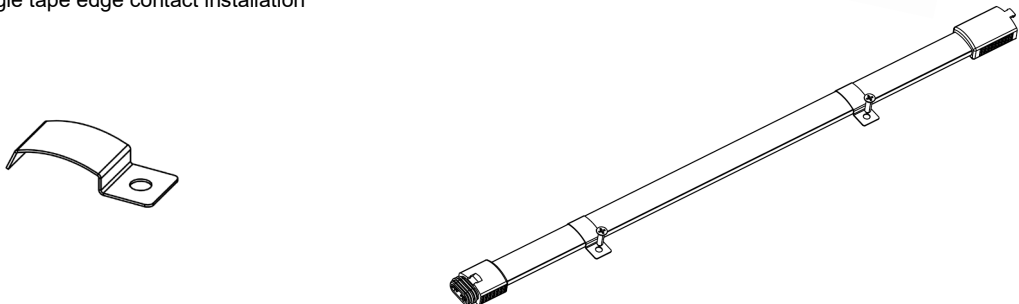
B. **USING CLIP 1**

- Suitable for non-flat installation surface, wood, or concrete.
- Installation surface have space for the two mounting screw holes.
- No edge contact installation requirement.



C. **USING CLIP 2**

- Suitable for non-flat installation surface, wood, or concrete material applicable
- Suitable for single tape edge contact installation



D. **USING CLIP 3**

- Suitable for non-flat installation surface, wood, or concrete material applicable
- Suitable for double tape edge contact installation.

