

SAFETY INSTRUCTION

IMPORTANT: NEVER attempt any work without shutting off the electricity.

- Always turn off power at fuse box prior to installation to prevent electrical shock.
- Intended for indoor and outdoor use. Suitable for dry, damp and wet locations.
- Install in accordance with national electric code, and local regulations.
- Consult with local inspector to assure compliance.
- Do not submerge, IP65 wet rated.
- Do not connect the unit directly to 120V AC Line

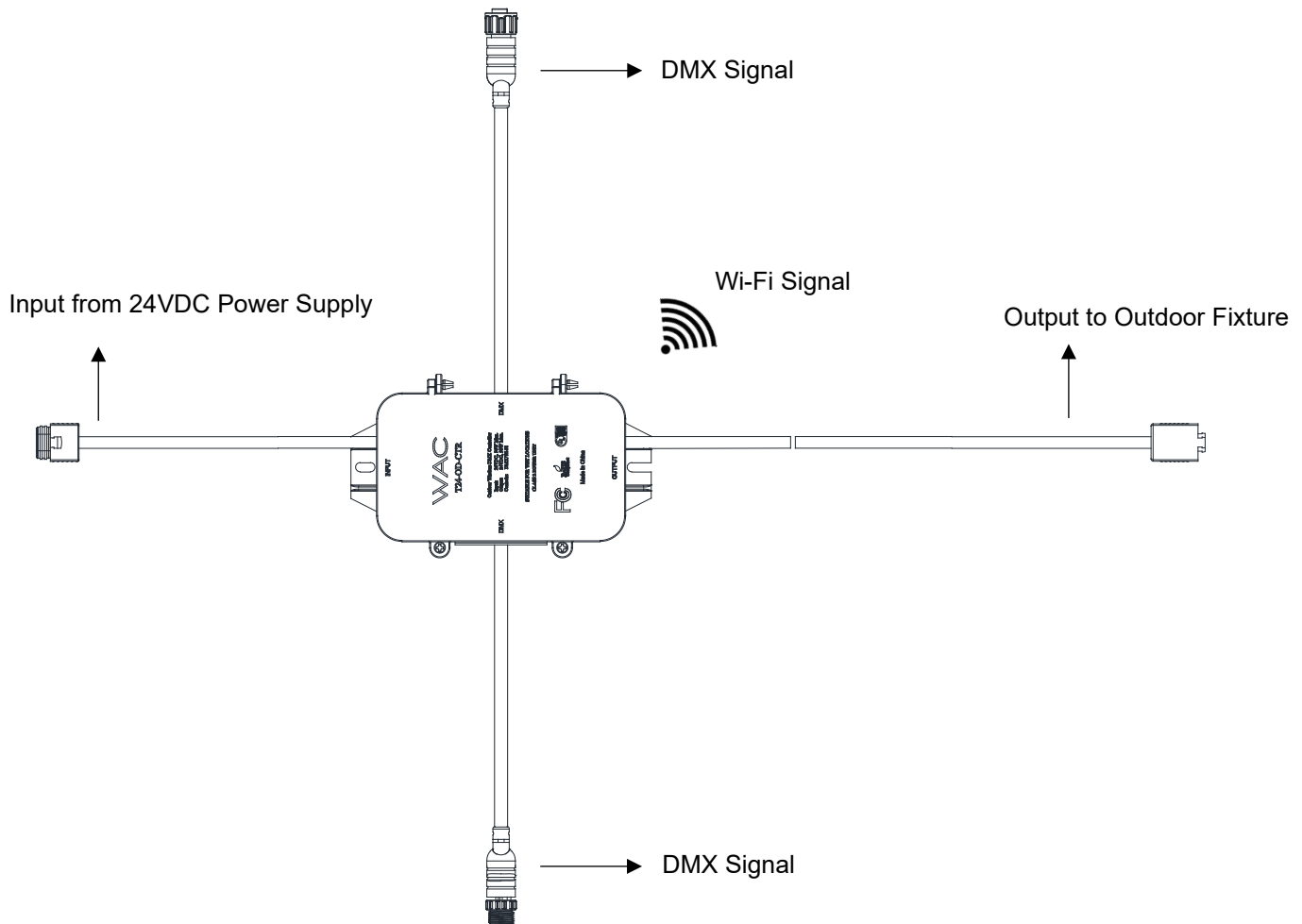
CAUTION – TO REDUCE RISK OF FIRE AND ELECTRICAL SHOCK

- Read all instructions before installing.
- Handle product with care.
- To reduce the risk of overheating and potential fire risk, make sure all connections are tight.
- Do not modify or disassemble product beyond instructions or warranty will be void.
- Failure to follow safety warnings, and installation instruction will void the warranty

ATTENTION - AFIN DE RÉDUIRE LES RISQUES D'INCENDIE ET DE CHOC ÉLECTRIQUE

- Lire toutes les instructions avant d'installer.
- Manipuler le produit avec soin.
- Afin de réduire le risque de surchauffe et d'incendie potentiel, s'assurer que toutes les connexions sont bien serrées.
- Ne pas modifier ou démonter le produit au-delà des instructions sous peine d'annuler la garantie.
- Ne pas respecter les avertissements de sécurité et des instructions d'installation annulera la garantie.

PRODUCT OVERVIEW



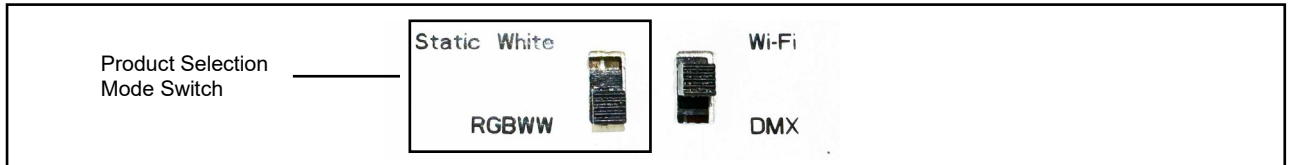
GENERAL FUNCTIONAL INSTRUCTION:

1. RELATIVE PRODUCT SELECTION

Unlock the plastic casing and gain access to the selector switch for choosing between the respective product modes: Static White Light or RGBWW.

Static White Mode: For InvisiLED Outdoor Pro+
RGBWW Mode: For InvisiLED Outdoor RGBWW

FIG. 1



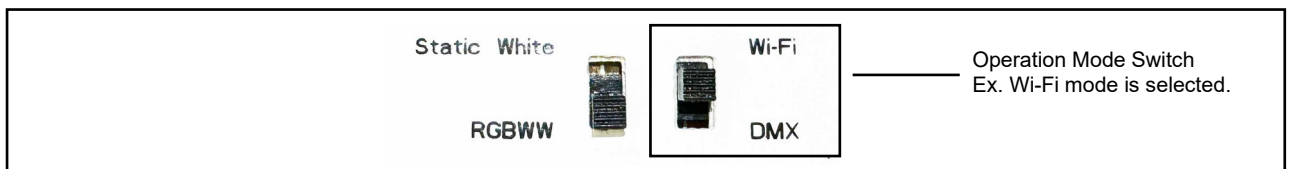
In the provided image, the RGBWW Mode has been visually indicated as the active selection. To toggle the switch between product selections, perform a power cycle.

2. OPERATION MODE

Select either Wi-Fi or DMX Mode. Both modes cannot be concurrently enabled.

Wi-Fi operates exclusively on the 2.4GHz band. DMX Mode is compatible with both DMX 512-A and RDM (Remote Device Management).

FIG. 2



The example depicted above illustrates the selection of Wi-Fi Mode.

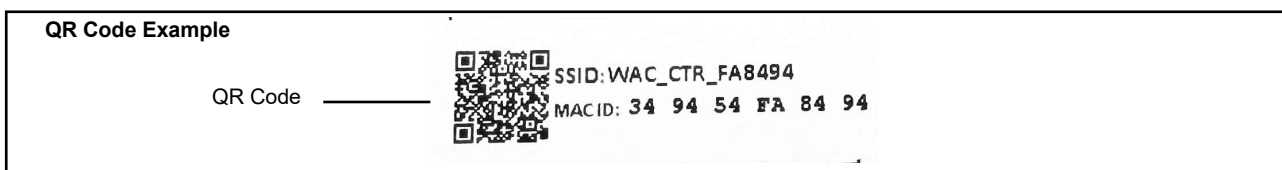
3. CASE IP RATING

Ensure the plastic lid cover is securely closed post-installation to preserve the IP65 rating.

WI-FI CONTROL INSTRUCTION:

1. Ensure that the Wi-Fi operation mode is chosen.
2. Launch the MyWAC mobile app and proceed by following the on-screen instructions. The QR code located on the product sticker will be required for the Wi-Fi device pairing process, and you can locate this QR code upon opening the plastic cover case.

FIG. 3



If QR Code pairing does not work, you may try to pair the device with "I don't have a QR code" mode on MyWAC app, once that is selected, MyWAC mobile app will start searching device nearby to pair. Unit can be indentify by looking at the SSID sticker on the product.

DMX INPUT CONTROL INSTRUCTION:

1. DMX INPUT

There is only one way to connect DMX Universe to the system through XLR 3 pins with accessories T24-OD-MW60 or T24-OD-MW120. To interconnect between wireless DMX Controller unit, please use T24-OD-SW60 or T24-OD-SW120 to daisy chain of DMX signal between controller unit.

2. DMX DECODER ADDRESS SETTING

The DMX starting address set by rotating a rotary dial using a flat head screwdriver. The DMX addresses for output channels 1 to 3 are consecutively aligned, as shown in Figure 4 and 5.

FIG. 4

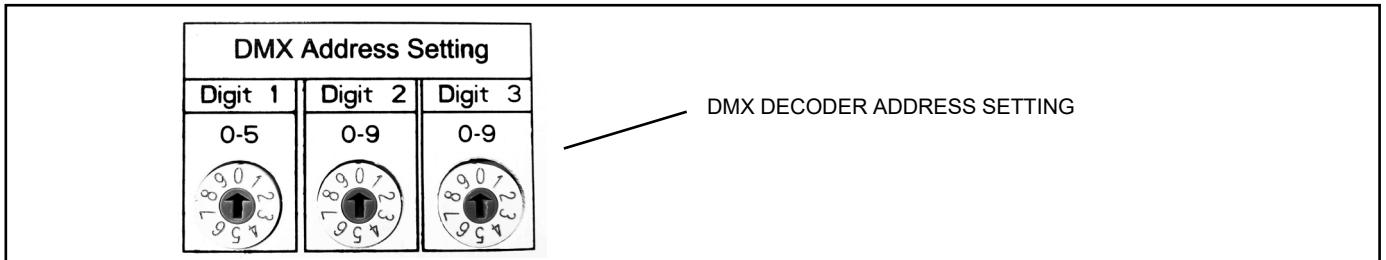


FIG. 5

<p>Digit 1 — Arrow Pointing number: 2</p> <p>Digit 2 — Arrow Pointing number: 4</p> <p>Digit 3 — Arrow Pointing number: 7</p>	<p>DMX Address Setting:</p> <p>For example: DMX Address 247</p> <ul style="list-style-type: none"> • Set Digit 1: 2 • Set Digit 2: 4 • Set Digit 3: 7 	<p>RGBWW Mode Control:</p> <p>Address 247: RED Address 248: GREEN Address 249: BLUE Address 250: 2700K Address 251: 5000K</p> <p>Static-White Mode Control:</p> <p>Address 247: White</p>
--	---	---

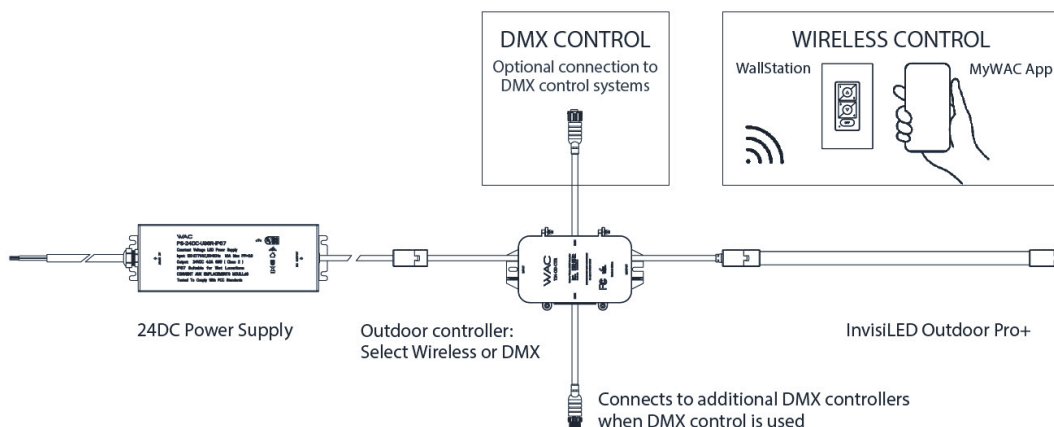
3. REMOTE DEVICE MANAGEMENT (RDM) SUPPORT

The DMX LED Controller offers support for the RDM protocol, facilitating remote configuration of both DMX starting addresses and DMX controllers for each channel. When connected to an RDM controller and the DMX address is established, the hardware settings via the rotary dial will be superseded. However, as long as the DMX address set through the rotary dial remains unchanged, the RDM controller will retain control. Should the DMX address be modified through the rotary dial, control will revert to the rotary dial setting. In RDM control mode, the RDM controller can configure a single DMX address, aligning all subsequent addresses in sequence. The RDM Serial number can be located on the product sticker inside the plastic cover.

FIG. 6

<p>Example RDM Serial number</p>	<p>SN:000C05000008</p>
----------------------------------	------------------------

EXAMPLE INSTALLATION FOR WIRELESS AND DMX CONTROL



Wi-Fi & MOBILE APP CONTROL INSTRUCTION:

1. ANTENNA

Outdoor Wireless DMX Controller is equipped with an internal antenna that is fully enclosed within the case for optimal performance. To ensure the best Wi-Fi signal reception and functionality, please take note of the following installation instructions:

1. Avoid Metal Cabinets or Cages: Do not install this product inside a metal cabinet, cage, or any other enclosure that may obstruct the Wi-Fi signal. Metal surfaces can significantly degrade Wi-Fi signal strength and range.

2. Unobstructed Placement: For the most reliable Wi-Fi connection, position the product in an open area without any metal barriers or obstructions that could impede the wireless signal.

2. CONFIGURE WIRELESS DMX LED CONTROLLER WITH WAC APP

Product Mode Selection:

The choice between RGBWW and Static White modes defines the operational mode of the product. Please note that the mobile application does not provide an option to change the product mode. It is essential to select the desired product mode before powering on the device. Refer to the "General Functional Instruction - Relative Product Selection" section located above for detailed instructions on how to make this selection.

Wireless Control via MyWAC App:

In addition to its compatibility with DMX control, this wireless DMX LED controller can also be configured and controlled using the MyWAC App. To utilize the MyWAC App, you can download it free of charge from the App Store (iOS) or Google Play (Android) by searching for "MyWAC" and following the app's instructions.

For quick access to the web page for downloading the "MyWAC" mobile app, please click on the link provided below.
<https://www.waclighting.com/apps/>

3. PINHOLE RESET

Wi-Fi Reset Procedure:

The Wi-Fi settings can be reset by following these steps:

1. While the unit is powered on, locate the pinhole reset button.
2. Insert a pin into the reset button.
3. Press and hold the reset button for a duration of 10 seconds.
4. Release the button after 10 seconds.
5. Wait a few moments, then proceed to follow the instructions provided in the mobile app for adding a new device.

This reset process will enable you to reconfigure your Wi-Fi settings as needed.

AMAZON ALEXA INTEGRATION

1. Install and connect the Wireless DMX LED controller to the "MyWAC" app.
2. Rename your controller's name to your preference. This name will be used to call the controller with Alexa voice assistant. You can rename the controller by following these steps on the "MyWAC" app: Menu - Setting - Location Details - XXX - Devices - Select your device to rename it.
3. Rename the product group to your preference. This name will be used to call the group with Alexa voice assistant. You can rename the group by following these steps on the "MyWAC" app: Menu - Groups - XXX - Name.
4. Download and open the Amazon Alexa app.
5. Under the devices section, select "Your Smart Home Skill" and click "Enable Smart Home Skills."
6. Search for the "MyWAC" Smart Home Skill.
7. Enable the skill.
8. Authorize the connection between Amazon Alexa and your MyWAC account.
9. Alexa will start looking for connected devices under the same Wi-Fi network.
10. Follow Alexa's steps to set up the location of each device.

Please note that Amazon Alex needs Internet connectivity to control it. If internet went down and you would like to control it, "MyWAC" can be used to control and operate without internet connectivity.

Alexa had pre-defined set of color name as following example:

AiSPiRE.com	Headquarters/Eastern Distribution Center	Central Distribution Center	Western Distribution Center
Phone (800) 526.2588	44 Harbor Park Drive	1600 Distribution Ct	1750 Archibald Ave
Fax (800) 526.2585	Port Washington, NY 11050	Lithia Springs, GA 30122	Ontario, CA 91761

Alexa colors: Red and pink

Crimson
Dark Red
Firebrick
Orange Red
Red
Deep Pink
Hot Pink
Light Pink
Maroon
Medium Violet Red
Pale Violet Red
Pink
Plum
Tomato

Alexa colors: Orange and peach

Chocolate
Dark Orange
Orange Web
Maroon
Coral
Light Coral
Light Salmon
Peru
Salmon
Sienna

Alexa colors: Yellow

Gold
Goldenrod
Lime
Olive
Yellow

Alexa colors: Green

Chartreuse
Dark Green
Dark Olive Green
Dark Sea Green
Forest Green
Green
Green Yellow
Lawn Green
Light Green
Lime Green
Medium Sea Green
Medium Spring Green
Olive Drab
Pale Green
Sea Green
Spring Green
Web Green
Yellow Green

Alexa colors: Blue

Blue
Cadet Blue
Cyan
Dark Blue
Dark Cyan
Dark Slate Blue
Dark Turquoise
Deep Sky Blue
Dodger Blue
Light Blue
Light Sea Green
Light Sky Blue
Medium Blue
Medium Turquoise
Midnight Blue
Navy Blue
Pale Turquoise
Powder Blue
Royal Blue
Sky Blue
Slate Blue
Steel Blue
Teal
Turquoise

Alexa colors: Purple

Blue Violet
Cornflower
Dark Magenta
Dark Orchid
Dark Violet
Fuchsia
Indigo
Lavender
Magenta
Medium Orchid
Medium Purple
Orchid
Purple
Rebecca Purple
Rosy Brown
Violet
Web Purple

Alexa colors: White

Alice Blue
Antique White
Blanched Almond
Comsilk
Dark Khaki
Floral White
Gainsboro
Ghost White
Honeydew
Ivory
Khaki
Lavender Blush
Lemon Chiffon
Light Cyan
Light Goldenrod
Light Steel Blue
Light Yellow
Linen
Mint Cream
Misty Rose
Moccasin
Old Lace
Pale Goldenrod
Papaya Whip
Peach Puff
Seashell
Silver
Snow
Tan
Thistle
Wheat
White
White Smoke