

SAFETY INSTRUCTION

IMPORTANT: NEVER attempt any work without shutting off the electricity.

- Always turn off power at fuse box prior to installation to prevent electrical shock.
- Intended for outdoor use, damp and wet locations are permitted. IP66 rated
- Install in accordance with national electric code, and local regulations.
- Consult with local inspector to assure compliance.
- Do not submerge, or install an outdoor tape in a swimming pool.
- Do not connect the tape directly to high voltage power
- Determine the installation area and material, based on different mounting materials (wood or concrete), different mounting accessories will be needed.

CAUTION – TO REDUCE RISK OF FIRE AND ELECTRICAL SHOCK

- Read all instructions before installing.
- Handle product with care.
- Do not conceal or extend exposed conductors through a building wall
- To reduce the risk of fire and burns, do not install this lighting system where the exposed bare conductors can be shorted or contact any conductive materials
- To reduce the risk of overheating and potential fire risk, make sure all connections are tight.
- Do not modify or disassemble product beyond instructions or warranty will be void.
- Failure to follow safety warnings, and installation instruction will void the warranty

ATTENTION - AFIN DE RÉDUIRE LES RISQUES D'INCENDIE ET DE CHOC ÉLECTRIQUE

- Lire toutes les instructions avant d'installer.
- Manipuler le produit avec soin.
- Ne pas dissimuler et faire passer les conducteurs exposés à travers un mur de bâtiment.
- Afin de réduire les risques d'incendie et de brûlures, ne pas installer ce système d'éclairage là où les conducteurs dénudés peuvent être court-circuités, ou entrer en contact avec des matériaux conducteurs.
- Afin de réduire le risque de surchauffe et d'incendie potentiel, s'assurer que toutes les connexions sont bien serrées.
- Ne pas modifier ou démonter le produit au-delà des instructions sous peine d'annuler la garantie.
- Ne pas respecter les avertissements de sécurité et des instructions d'installation annulera la garantie.

WIRING AND INSTALLATION:

1. Determine the control method and the number of separately powered runs needed. Calculate the number of power supplies and controller.

Tape Input Voltage	24VDC
Power Consumption	~ 1.2 W/ft @100 lm/ft ~ 2.3 W/ft @200 lm/ft

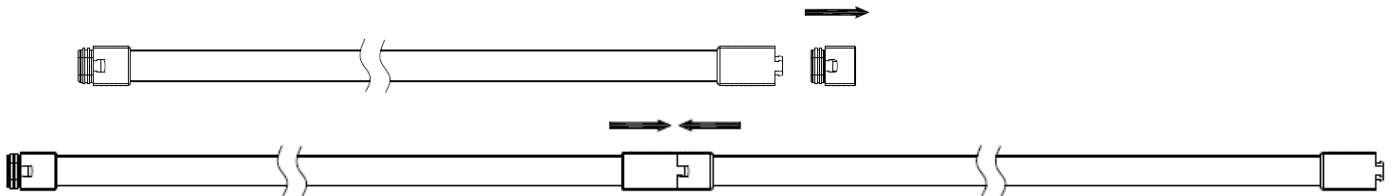
2. Determine maximum run length based on controller type and total length of lead wire between controller and tape.

Total Length of Lead Wire from Power Supply/ Controller to Tape	Max Run Length			
	100 Lm/Ft		200 Lm/Ft	
	TRIAC/ELV Dimming: Power Supply	Wireless Control: Power Supply + Wireless DMX Controller	TRIAC/ELV Dimming: Power Supply	Wireless Control: Power Supply + Wireless DMX Controller
6 ft	40ft	40ft	30ft	30ft
9 ft	40ft	40ft	30ft	26ft
12 ft	40ft	38ft	26ft	22ft
18 ft	33ft	29ft	20ft	17ft
24 ft	26ft	24ft	16ft	14ft
30 ft	22ft	20ft	13ft	12ft
40 ft	17ft	16ft	10ft	9ft

Note: Calculation based on 6 ft. lead wire between Power Supply and controller

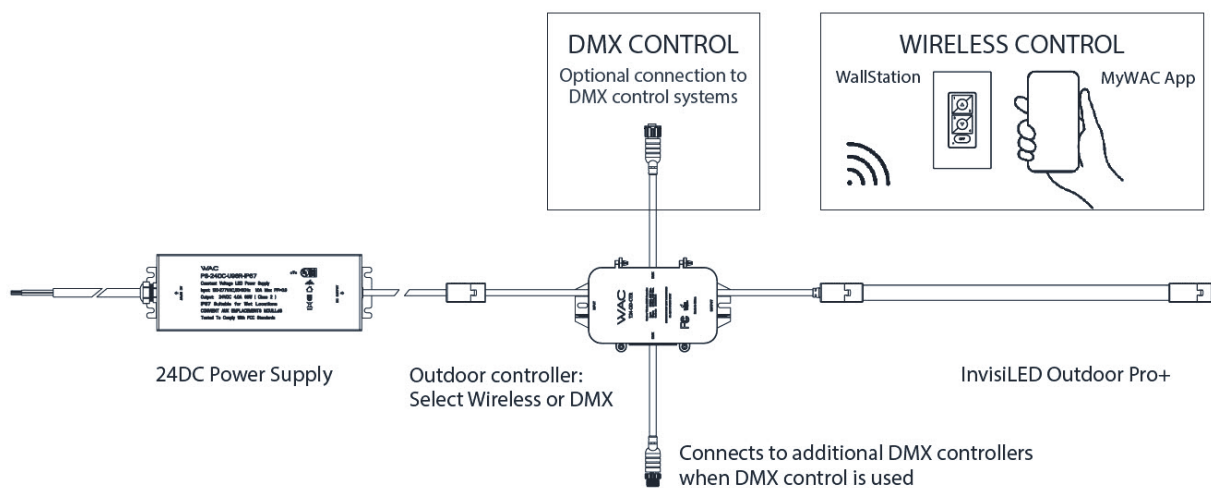
3. Measure the length of each run and round it off to the nearest 1-foot interval. Determine the necessary quantities of 1ft, 5ft, 10ft, 20ft,30ft, and 40ft sections.
4. Count the number turns in the runs to determine the number of X, and Y connectors.

5. If making lateral turns at angles other than 90°, determine the number of joiner cables necessary to make the lateral adjustment.
6. Connect to power supply to incoming 120VAC supply. Power supply is IP67 rated for damp and wet locations. The power supply should be installed accessible for service.
7. Connect the output female connector of the power supply with the male connector of the InvisiLED Outdoor tape or lead wires, to form straight lines or turns around the installation surface.
 Insert the male and female connectors together in a straight alignment to prevent bending of conductor pins and potential loss of connectivity.
8. The sealed end caps of each InvisiLED Outdoor can be removed to open a connection, allowing you to connect it to another outdoor tape.

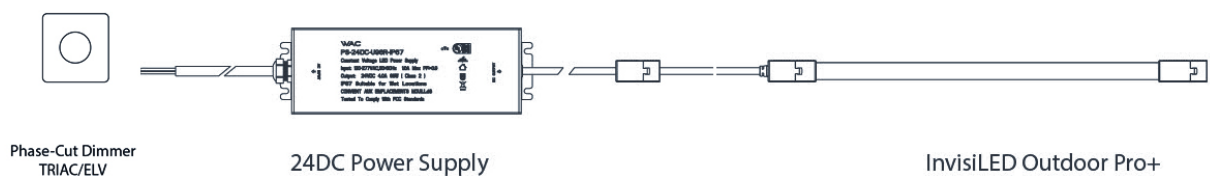


9. InvisiLED Outdoor LED sections may be cut at every 2-inch interval.
10. Terminate each separately powered run with an end cap. Install the end cap with silicon for water tight.

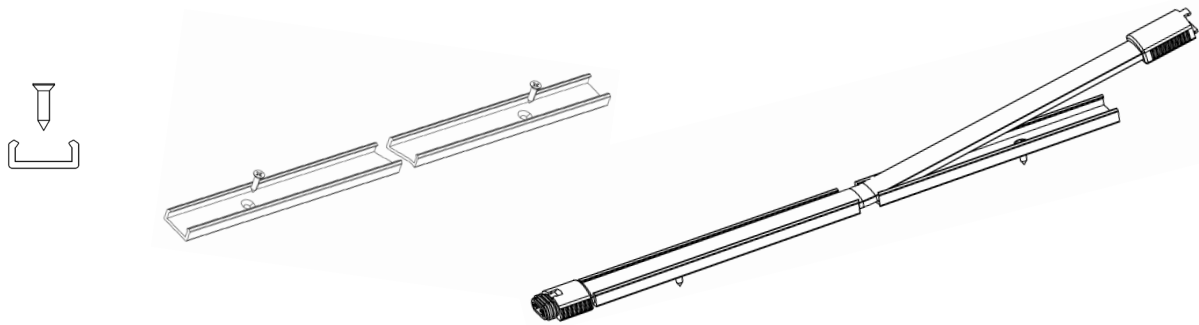
OUTDOOR WIRELESS DMX CONTROLLER: EXAMPLE INSTALLATION



TRIAC/ELV DIMMING: EXAMPLE INSTALLATION

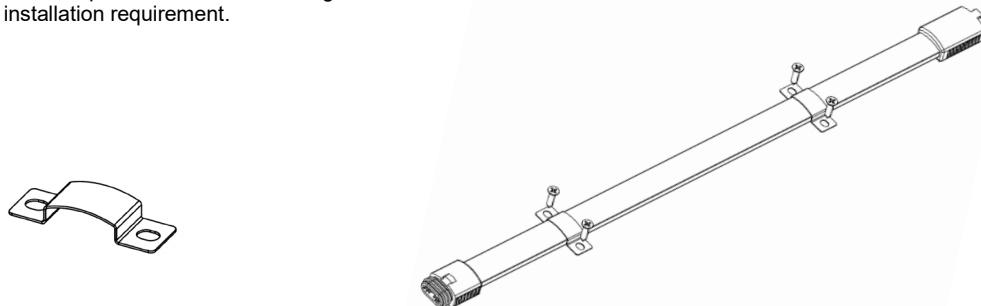


A. **USING INSTALLATION CHANNEL** – flat surface, example: wood



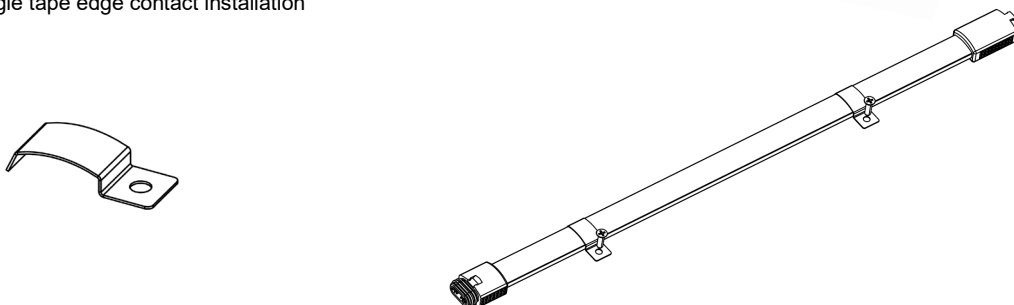
B. **USING CLIP 1**

- Suitable for non-flat installation surface, wood, or concrete.
- Installation surface have space for the two mounting screw holes.
- No edge contact installation requirement.



C. **USING CLIP 2**

- Suitable for non-flat installation surface, wood, or concrete material applicable
- Suitable for single tape edge contact installation



D. **USING CLIP 3**

- Suitable for non-flat installation surface, wood, or concrete material applicable
- Suitable for double tape edge contact installation.

