

INSTALLATION INSTRUCTION

154-Bath Sconce

WS-15422 WS-15432

dweLED

CAUTION: To prevent electrical shock, ensure electricity has been turned off at the circuit breaker before beginning.

- Read all instructions before installing.
- System is intended for installation by a licensed electrician in accordance with the National Electrical Code (NEC) and local regulations.
- When handling the fixture, do not apply pressure to the LEDs. Hold the fixture by the base only.
- Retain installation instructions for future maintenance reference.

WARNING: All parts must be used as indicated in these instructions. This product is designed for use only with the supplied parts and/or accessories designated for use by dweLED. Substitution of parts or accessories not designated for use with this product by dweLED could result in personal injury or property damage, and will void the warranty. Contact an authorized dealer or the manufacturer if any parts are damaged or missing.

MAINTENANCE NOTE: Coastal conditions may cause mineral and residue build-up on the fixture. We recommend that customers in coastal areas clean all external surfaces of the fixture once every two weeks with a wet cloth.

MISE EN GARDE: Pour éviter tout choc électrique, assurez-vous que le disjoncteur soit mis hors tension avant de commencer.

- Lisez toutes les instructions avant l'installation.
- Le système doit être installé par un électricien licencié conformément au code national de l'électricité (NEC), et également aux règlements locaux.
- Lors de la manipulation du luminaire, n'appuyez pas sur les LED. Tenez-le uniquement par la base.

ATTENTION: Toutes les pièces doivent être utilisées comme indiqué dans ces instructions. Ce produit est conçu pour être utilisé seulement avec les pièces et/ou accessoires fournis pour être utilisés avec les produits dweLED. Remplacer des pièces ou accessoires non conçus pour ce produit dweLED pourrait causer des dommages corporels ou matériels et pourrait également causer l'annulation de la garantie. Veuillez contacter un revendeur autorisé ou le fabricant si des pièces manquent ou sont endommagées.

NOTE D'ENTRETIEN: Les conditions côtières peut causer une accumulation de minéraux et de résidus sur le luminaire. Nous recommandons aux clients qui résident dans les zones côtières de nettoyer toutes les surfaces externes du luminaire une fois toutes les deux semaines avec un chiffon humide.

HARDWARE

A



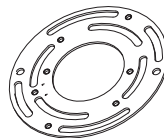
Wire Connector
Qty: 3pcs+1Extra

B



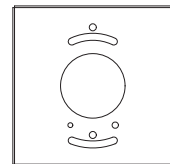
Mounting Screw
Qty: 1Extra

C



Mounting Ring
QTY:1Extra

D



Conversion plate
QTY:1Extra

dweLED.com
Phone (800) 526.2588
Fax (800) 526.2585

Headquarters/Eastern Distribution Center
44 Harbor Park Drive
Port Washington, NY 11050

Central Distribution Center
1600 Distribution Ct
Lithia Springs, GA 30122

Western Distribution Center
1750 Archibald Avenue
Ontario, CA 91760



Fig.1

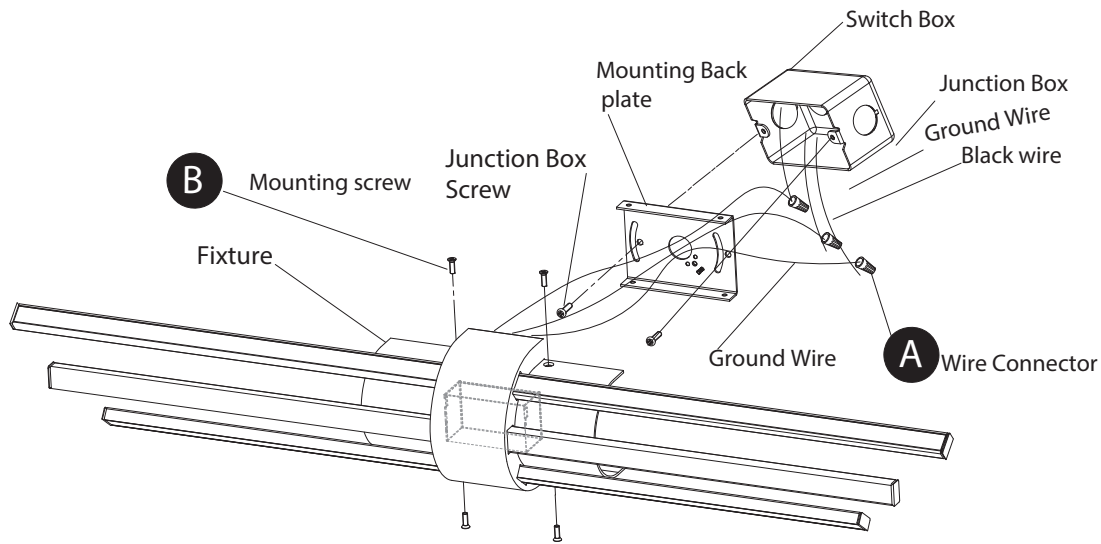
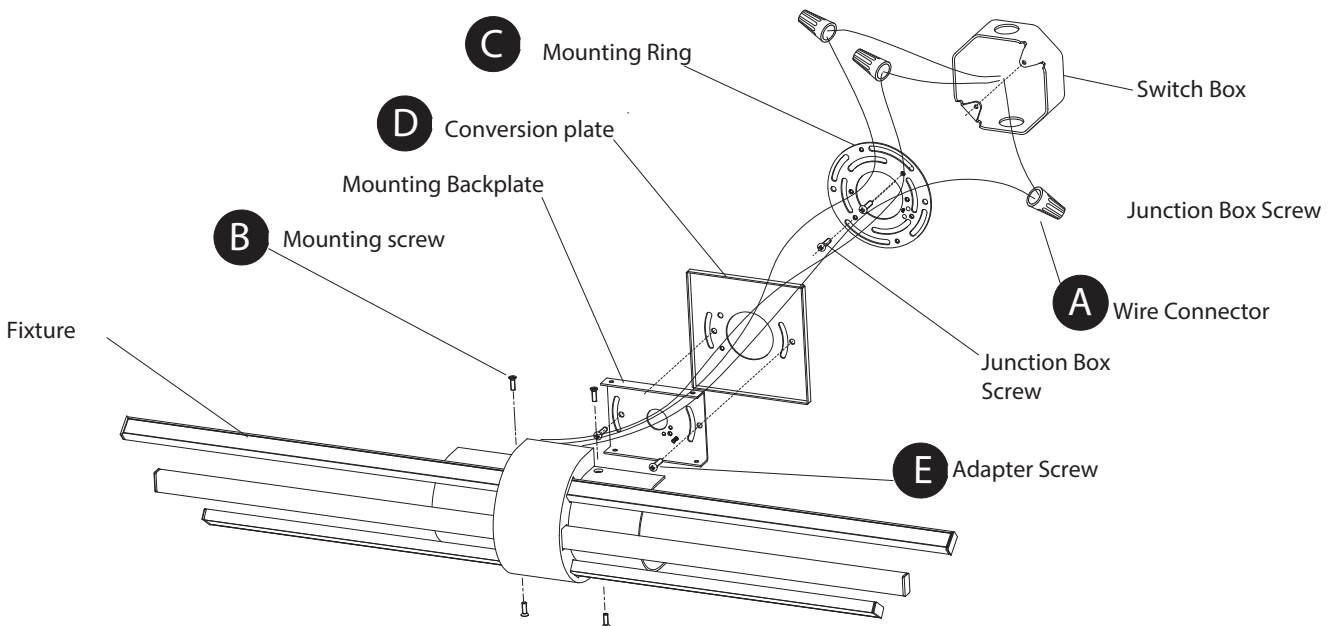


Fig.2



INSTALLATION INSTRUCTION

152– Bath Sconce

WS-15422 WS-15432

dweLED

PREPARATION

1. Shut off the power at the circuit breaker and remove existing fixture, including the crossbar.
2. Carefully unpack your new fixture and lay out all the parts on a clear area. Be careful not to lose any small parts necessary for installation.

MOUNT ON 2x4" SWITCH BOX (Fig. 1/ Fig. 3)

3. Remove the mounting screw (B) from the mounting plate.
4. Secure the mounting plate to the switch box using standard junction box screws that comes with the switch box.
NOTE: (i) It is recommended to use only original junction box screws or replacements provided by junction box manufacturer.
 (ii) The side of the mounting plate marked "GND" must face out.
5. Secure the fixture to the mounting plate using the mounting screw (B).

MOUNT ON 4x4" JUNCTION BOX (Fig. 2/ Fig. 3)

3. Remove the mounting screw (B) from the mounting plate.
4. Secure the mounting ring (C) to the junction box using junction box screws. The side of the mounting plate marked "GND" must face out.
5. Secure the mounting plate and conversion plate(D) to the mounting ring (C) using adapter screws (E) as shown in Fig. 2.
NOTE: (i) It is recommended to use only original junction box screws or replacements provided by junction box manufacturer.
 (ii) The side of the mounting plate marked "GND" must face out.
6. Connect the fixture input wires to the junction box wires (Fig. 2) using wire connectors (A) provided. Ensure all wire connectors are secure. Connect the fixture's ground wire to the ground in the junction box; this will be either a green wire or a bare copper wire. After fixture is wired to house wires, tuck wires carefully inside the junction box.
7. Secure the fixture to the mounting plate using the mounting screw (B).

Fig.3 Wiring

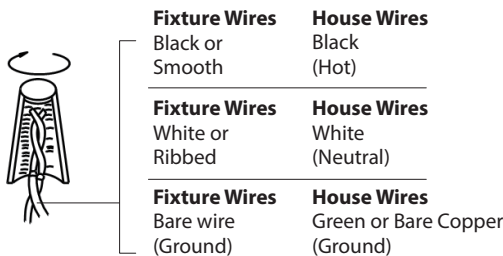
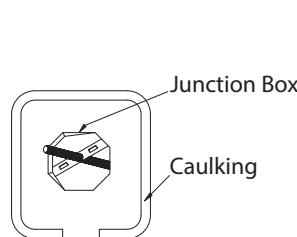
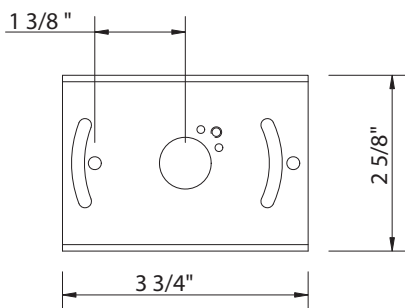


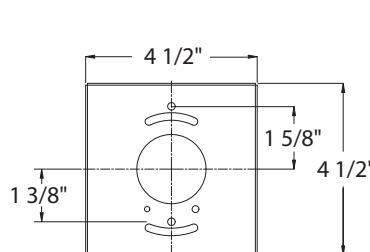
Fig. 4 Sealing



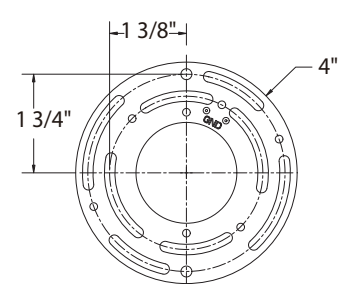
Mounting Back Plate Dimensions



Conversion Plate Dimensions



Mounting Ring Dimensions



dweLED.com
 Phone (800) 526.2588
 Fax (800) 526.2585

Headquarters/Eastern Distribution Center
 44 Harbor Park Drive
 Port Washington, NY 11050

Central Distribution Center
 1600 Distribution Ct
 Lithia Springs, GA 30122

Western Distribution Center
 1750 Archibald Avenue
 Ontario, CA 91760

