

# COLORSCAPING TRANSFORMER - 150W

8150CS

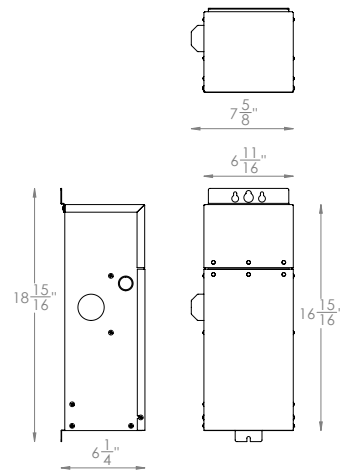


Fixture Type:

Catalog Number:

Project: \_\_\_\_\_

Location: \_\_\_\_\_



## PRODUCT DESCRIPTION

Dynamic, eye-catching stunning vignettes. Celebrate artful illumination with new COLORSCAPING Lights from WAC Landscape Lighting all controlled by this smart transformer. Heighten drama to render visual impact on magnificent tree trunk and branch silhouettes, brilliant colorful scenery on your hedgerow, or a swath of light washing a facade. Customize your experiences and enjoy your passion for color and the language of light with unbridled enthusiasm and a nearly endless palette. The LED luminaires also include onboard adjustable brightness and continuous, lockable beam angle flexibility. The possibilities are endless.

## FEATURES

- Each Colorscaping fixture can be individually controlled
- Fixtures can be grouped and controlled together
- Fixtures contain discrete, warm, and a cool white LEDs for full tunability
- Fixtures can generate tens of thousands of different colors
- Automations can be stored and recalled for holiday or other celebratory lighting scenes
- Fixtures from multiple transformers can be controlled as a single group in the app
- Integrators can control the fixtures using industry standard DMX 512
- The Colorscaping transformer allows for installation growth - each transformer supports one or two legacy landscape lighting circuits in addition to the Colorscaping fixtures
- Paint your landscaping and home using light
- Schedule your landscape lighting based on sunrise and sunset in your location
- RGBWW Color Changing Fixture: R / G / B / 2700K-6500K
- Legacy fixture can be controlled as a group only

## SPECIFICATIONS

**Input:** 120VAC  
**Output:** 15VAC; 150W / 150VA  
**IP Rating:** Wet Location / IP65



## ORDERING NUMBER

<b>8150CS-TRN-SS</b>	150W Max
----------------------	----------

**8150CS-TRN-SS**

waclighting.com  
 Phone (800) 526.2588  
 Fax (800) 526.2585

Headquarters/Eastern Distribution Center  
 44 Harbor Park Drive  
 Port Washington, NY 11050

Central Distribution Center  
 1600 Distribution Ct  
 Lithia Springs, GA 30122

Western Distribution Center  
 1750 Archibald Avenue  
 Ontario, CA 91761

# COLORSCAPING TRANSFORMER - 300W

8300CS

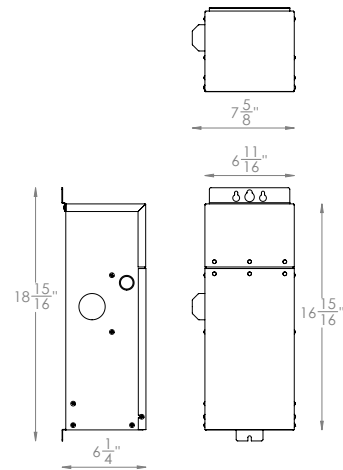


Fixture Type:

Catalog Number:

Project: \_\_\_\_\_

Location: \_\_\_\_\_



## PRODUCT DESCRIPTION

Dynamic, eye-catching stunning vignettes. Celebrate artful illumination with new COLORSCAPING Lights from WAC Landscape Lighting all controlled by this smart transformer. Heighten drama to render visual impact on magnificent tree trunk and branch silhouettes, brilliant colorful scenery on your hedgerow, or a swath of light washing a facade. Customize your experiences and enjoy your passion for color and the language of light with unbridled enthusiasm and a nearly endless palette. The LED luminaires also include onboard adjustable brightness and continuous, lockable beam angle flexibility. The possibilities are endless.

## FEATURES

- Each Colorscaping fixture can be individually controlled
- Fixtures can be grouped and controlled together
- Fixtures contain discrete, warm, and a cool white LEDs for full tunability
- Fixtures can generate tens of thousands of different colors
- Automations can be stored and recalled for holiday or other celebratory lighting scenes
- Fixtures from multiple transformers can be controlled as a single group in the app
- Integrators can control the fixtures using industry standard DMX 512
- The Colorscaping transformer allows for installation growth - each transformer supports one or two legacy landscape lighting circuits in addition to the Colorscaping fixtures
- Paint your landscaping and home using light
- Schedule your landscape lighting based on sunrise and sunset in your location
- RGBWW Color Changing Fixture: R / G / B / 2700K-6500K
- Legacy fixture can be controlled as a group only

## SPECIFICATIONS

**Input:** 120VAC  
**Output:** 15VAC; 300W / 300VA  
**IP Rating:** Wet Location / IP65



## ORDERING NUMBER

<b>8300CS-TRN-SS</b>	300W Max
----------------------	----------

## 8300CS-TRN-SS

wacighting.com  
Phone (800) 526.2588  
Fax (800) 526.2585

Headquarters/Eastern Distribution Center  
44 Harbor Park Drive  
Port Washington, NY 11050

Central Distribution Center  
1600 Distribution Ct  
Lithia Springs, GA 30122

Western Distribution Center  
1750 Archibald Avenue  
Ontario, CA 91761