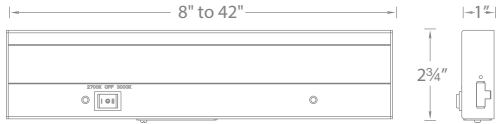


DUO AC-LED COLOR OPTION LIGHT BARS

BA-ACLED



PRODUCT DESCRIPTION

Bringing out the best in bold, eye-catching residential, retail and commercial displays, DUO AC-LED COLOR OPTION Light Bars are ideal for counters and cabinets. Thermally efficient, these fixtures are crafted for illuminating heat sensitive perishables and color sensitive apparel, artwork and collectibles.

FEATURES

- High CRI 90+
- Does not require any driver or transformer
- True 1" profile
- Backlighting with parabolic reflector allows a high uniformity of light
- Each light bar includes one "I" connector
- Minimal space between diffusers for a visually seamless line of illumination
- Free of projected heat, UV and IR radiation
- 54,000 hour rated life
- 5 year WAC Lighting product warranty

SPECIFICATIONS

- Construction:** Extruded aluminum body with polycarbonate lens.
- Power:** Direct 120VAC 60Hz input.
- Light Source:** 2700K and 3000K AC LEDs. CRI: 90.
- Dimming:** May be dimmed down to 10% with electronic low voltage (ELV) dimmer. Compatible with **LUTRON DVELV-300, SELV-300** Electronic Low Voltage dimmer
- Finish:** Abrasion resistant Bronze (BZ), Brushed Aluminum (AL) and White (WT) powder coat.
- Standards:** Title 24 CEC Compliant. ETL & cETL Listed.

ORDER NUMBER

Model#	Length	Color Temp	Finish
BA-ACLED	8 8"	27/30 2700K and 3000K	BZ Bronze AL Brushed Aluminum WT White
	12 12"		
	18 18"		
	24 24"		
	30 30"		
	36 36"		
	42 42"		

BA-ACLED -

Example: **BA-ACLED12-27/30AL**

WAC LIGHTING

Responsible Lighting®

Fixture Type:

Catalog Number:




Project:

Location:

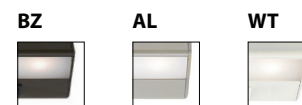
FIXTURE PERFORMANCE

Model #	Color Temp	Power	Lumens	Efficacy
BA-ACLED8-27/30	2700K and 3000K	6.0W	330	55 Lm/W
BA-ACLED12-27/30		8.0W	475	59 Lm/W
BA-ACLED18-27/30		10.0W	545	55 Lm/W
BA-ACLED24-27/30		15.0W	930	62 Lm/W
BA-ACLED30-27/30		17.5W	1095	63 Lm/W
BA-ACLED36-27/30		19.5W	1305	67 Lm/W
BA-ACLED42-27/30		22.5W	1445	64 Lm/W

ACCESSORIES

6' power cord 	BA-PC6-WT	Supplies power in any application.
"I" connector 	BA-I-WT	Interconnection for seamless end to end transitions. One included with each light bar.
Interconnect cable 	BA-IC12-WT BA-IC24-WT BA-IC36-WT	12" 24" 36" Links two light bars using a single power connection.

FINISHES



WAC Lighting
www.waclighting.com
Phone (800) 526.2588 • Fax (800) 526.2585

Headquarters/Eastern Distribution Center
44 Harbor Park Drive • Port Washington, NY 11050
Phone (516) 515.5000 • Fax (516) 515.5050

Western Distribution Center
1750 Archibald Avenue • Ontario, CA 91760
Phone (800) 526.2588 • Fax (800) 526.2585