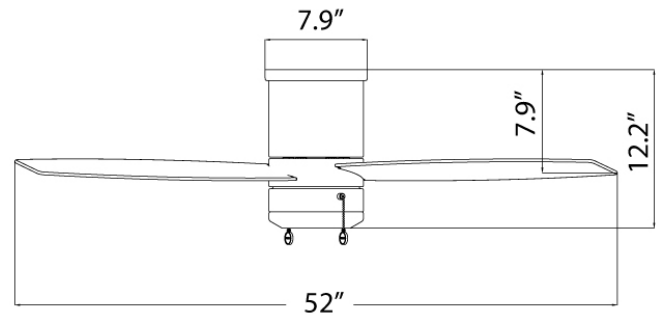


ATLANTIS FLUSH

F-073L

52" Flush Mount Fan

WAC FANS LIMITED



PRODUCT DESCRIPTION

ATLANTIS from WAC LIMITED offers a Damp rated, high-value fan with three speed options and can be reversed from the housing to pull hot air up during winter months. Enhance your interiors with the gently-curved shape of this elegant fan.

FEATURES

- 3 fan speeds
- Silent AC motor
- Pull chain operation
- Fan is reversible from housing
- Dim using ELV dimmer

AIRFLOW/ENERGY EFFICIENCY

Weighed-Average Airflow/High:	3046/4116 CFM
Energy Use (W):	40/63 (High)
Estimated Yearly Energy Cost (\$):	11
Efficiency (CFM/W):	75 (High)
Max RPM:	186

ORDER NUMBER

Model	Housing	Blade
F-002L	BN <i>Brushed Nickel</i>	TT <i>Titanium Silver</i>
	MB <i>Matte Black</i>	MB <i>Matte Black</i>
	MW <i>Matte White</i>	MW <i>Matte White</i>

F-073L-__

Example: F-073L-MB

SPECIFICATIONS

Construction:	Steel, Plywood
Blade:	13° Pitch, 52" sweep
Wire:	8"
Hanging Weight:	18 lbs
Total Power:	83W
Standards:	Title 24 Compliant, Title 20 Compliant, Energy Star Rated, UL, cUL
Motor Type:	AC-153 x 16

LUMINAIRE PERFORMANCE

Light Source:	LED
Light Wattage:	19.5W
Lumens/Delivered Lumens:	1600/708
Dimming:	ELV
CRI:	90
Color Temperature:	3000K
Rated Life:	50,000 hours

wacighting.com
Phone (800) 526.2588
Fax (800) 526.2585

Headquarters/Eastern Distribution Center
44 Harbor Park Drive
Port Washington, NY 11050

Central Distribution Center
1600 Distribution Ct
Lithia Springs, GA 30122

Western Distribution Center
1750 Archibald Avenue
Ontario, CA 91760