

R2FBN1T-1-F

FQ 2" Fire Rated Shallow New Construction Housing



SPECIFICATIONS

Input: Universal 120-277V AC 50/60 Hz

Standards: ETL & cETL, IC-rated, Airtight, 2-Hour Fire Rated ASTM E119/UL263

Dimming: Electronic Low Voltage (ELV): 100%-1%
 TRIAC: 100%-1%
 0-10V: 100-1%

Mounting: New construction housings included with universal mounting brackets and hanger bars
 Ceiling cutout (Round and Square): \varnothing 3 1/2"
 Ceiling thickness: 1/2" - 1 1/4"

Construction: 20 Gauge galvanized sheet

Warranty: 5 year WAC Lighting product warranty

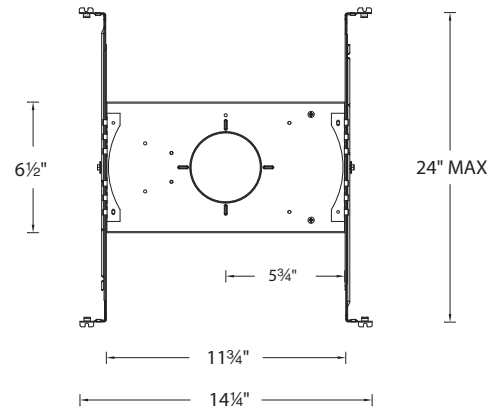
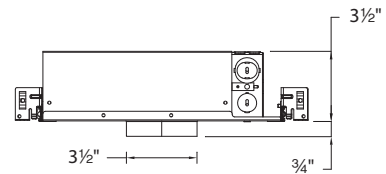
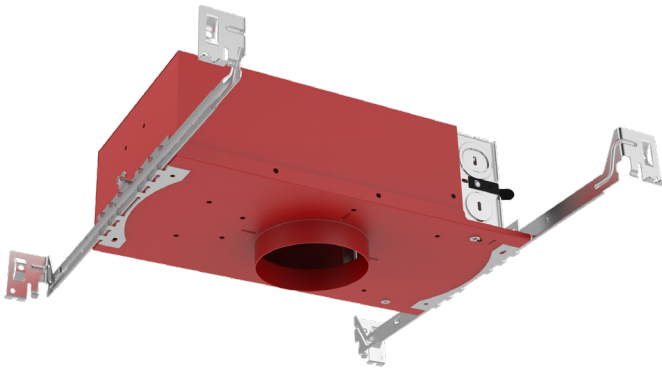
Fixture Type:

Catalog Number:

Project: _____

Location: _____

New Construction Trimmed



HOUSING

Power

Rating

HOUSING		Power	Rating
R2FBN1T-1-F	<i>Fire Rated Shallow New Construction Housing Round and Square Trimmed</i>	15W	<i>IC, Airtight 2-Hour Fire Rated</i>

REPLACEMENT DRIVER

<i>Housing Model</i>	<i>Power</i>	<i>Replacement Driver Model</i>
R2FBN1T-1-F	15W	D-R2FN-1

wacighting.com

Phone (800) 526.2588

Fax (800) 526.2585

Headquarters, East Manufacturing Facility

44 Harbor Park Drive

Port Washington, NY 11050

South East Manufacturing Facility

1600 Distribution Ct

Lithia Springs, GA 30122

Central Manufacturing Facility

1700 South J Elmer Freeway, Ste 100

Cedar Hill, TX 75104

West Manufacturing Facility

1750 S Archibald Ave

Ontario, CA 91761