

# WAC LIGHTING

## VENTRIX

### Vacancy / Photo Sensor



Model	Finish
<b>S2SN-1</b>	<b>BK</b> <i>Black</i>

Example: **S2SN-1-BK**

#### PRODUCT DESCRIPTION

The only lighting, power, and control system complete with lighting elements designed for discriminating performance. Configure VENTRIX for your retail, restaurant, commercial office, or residential lighting plan.

#### FEATURES

- Installs anywhere within the system irrespective of the elements it will be controlling. Configure after installation.
- To enable access to VENTRIX element releasing tabs, maintain at least 3" of free channel space
- Up to one VENTRIX sensor per VENTRIX CPU
- 5 year warranty

#### VACANCY DETECTION RANGE:

Using WAC app, user can set the "Sensitivity" to "Low", "Medium" or "High" to achieve various coverages, refer to the table below.

Ceiling Height	Radius of Floor Coverage (ft)		
	Sensitivity Setting: Low	Sensitivity Setting: Medium	Sensitivity Setting: High
8 ft	5	8	20
9 ft	4	8	20
10 ft	4	8	20
11 ft	4	8	19
12 ft	3.5	8	19

Fixture Type: \_\_\_\_\_

Catalog Number: \_\_\_\_\_

Project: \_\_\_\_\_

Location: \_\_\_\_\_

#### FINISHES



Black

#### SPECIFICATIONS

**Construction:** Injection molded polycarbonate

**Input:** 48 VDC

**Mounting:** Installs magnetically and mechanically into VENTRIX system

**Finish:** Black

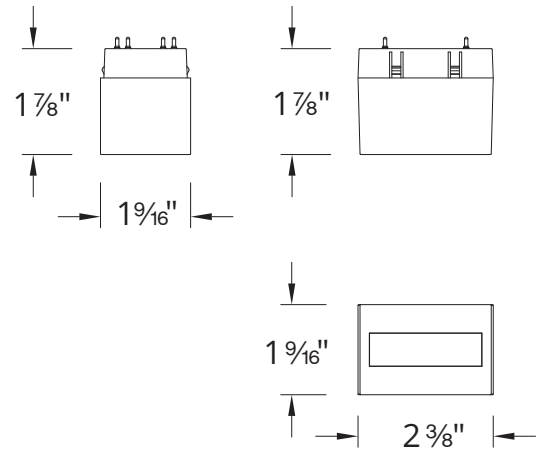
**Operating Temp:** -4°F to 104°F (-20°C to 40°C)

**Standards:** UL, cUL, Dry Location Listed

**Vacancy Sensor:** Microwave Radar

**Photosensor:** Single Chip ambient light sensor

#### LINE DRAWING



wacighting.com

Phone (800) 526.2588

Fax (800) 526.2585

Headquarters, East Manufacturing Facility

44 Harbor Park Drive

Port Washington, NY 11050

South East Manufacturing Facility

1600 Distribution Ct

Lithia Springs, GA 30122

Central Manufacturing Facility

1700 South J Elmer Freeway, Ste 100

Cedar Hill, TX 75104

West Manufacturing Facility

1750 S Archibald Ave

Ontario, CA 91761